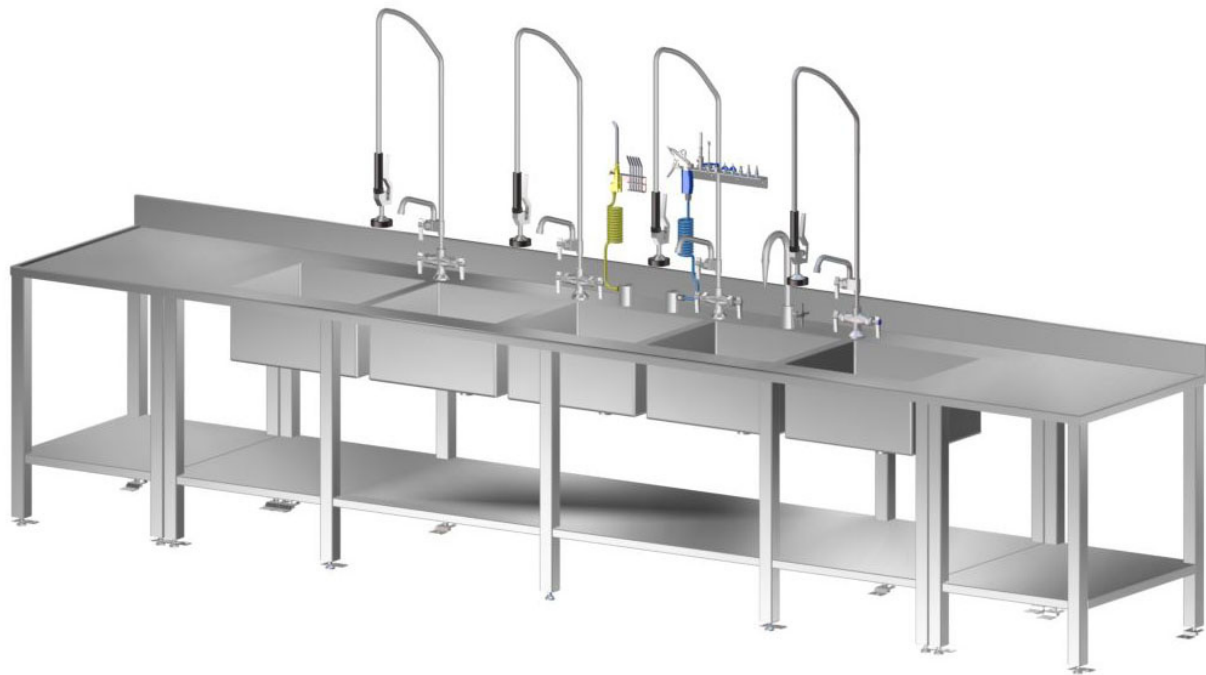




INSTRUCTION MANUAL



18' Processing Sink with Sink Side Tables



Read and understand all of the instructions and safety information in this manual before operating this product.

TABLE OF CONTENTS

Assembling the End Tables to the Sink..... 3
Attach Levelers to the Tables..... 4
Attaching the Sink Side Tables..... 5
Bolt Table to the Sink..... 6
Level Sink and Anchor..... 7

DESCRIPTION OF PRODUCT

This product is PS-3116836-PG5 which feature five basins and sink side tables.

PURPOSE OF THIS MANUAL

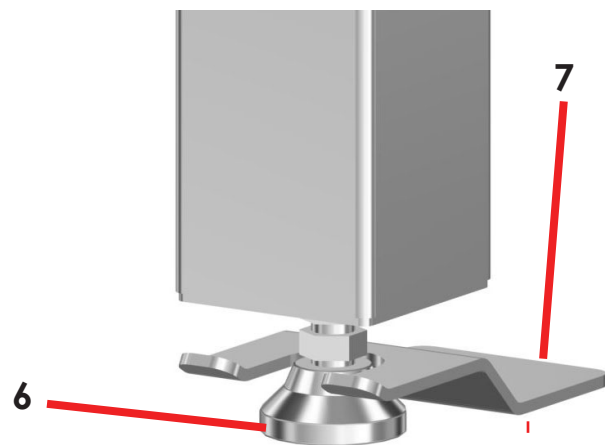
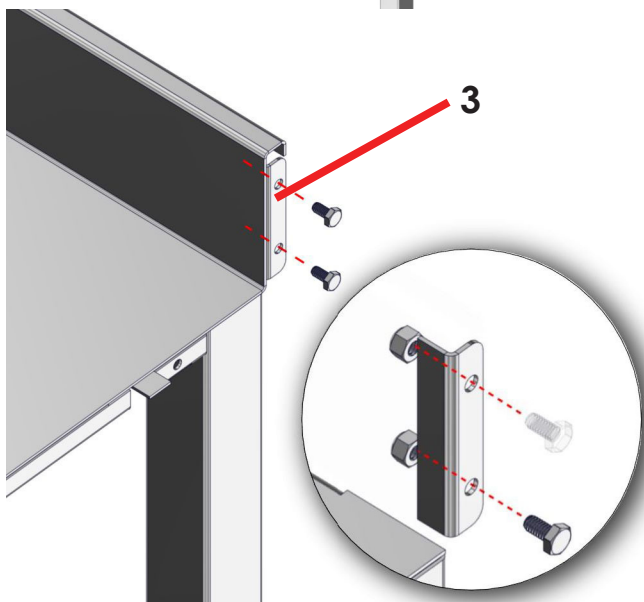
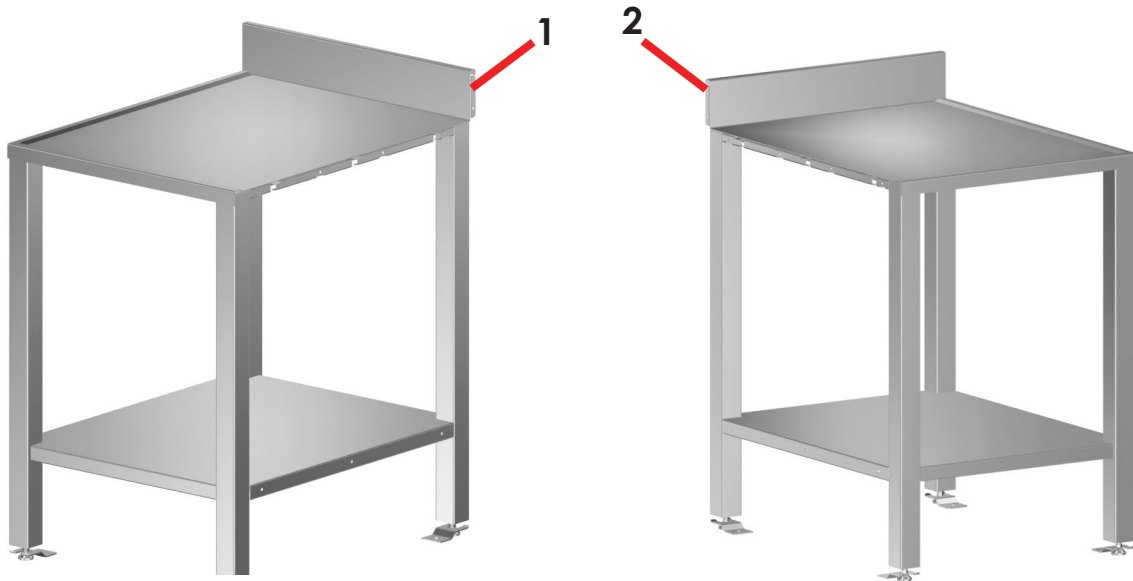
This manual is to show how to install the sink side tables to the processing sink.

KEEP THIS MANUAL

Assembling the Sink Side Tables to the Sink

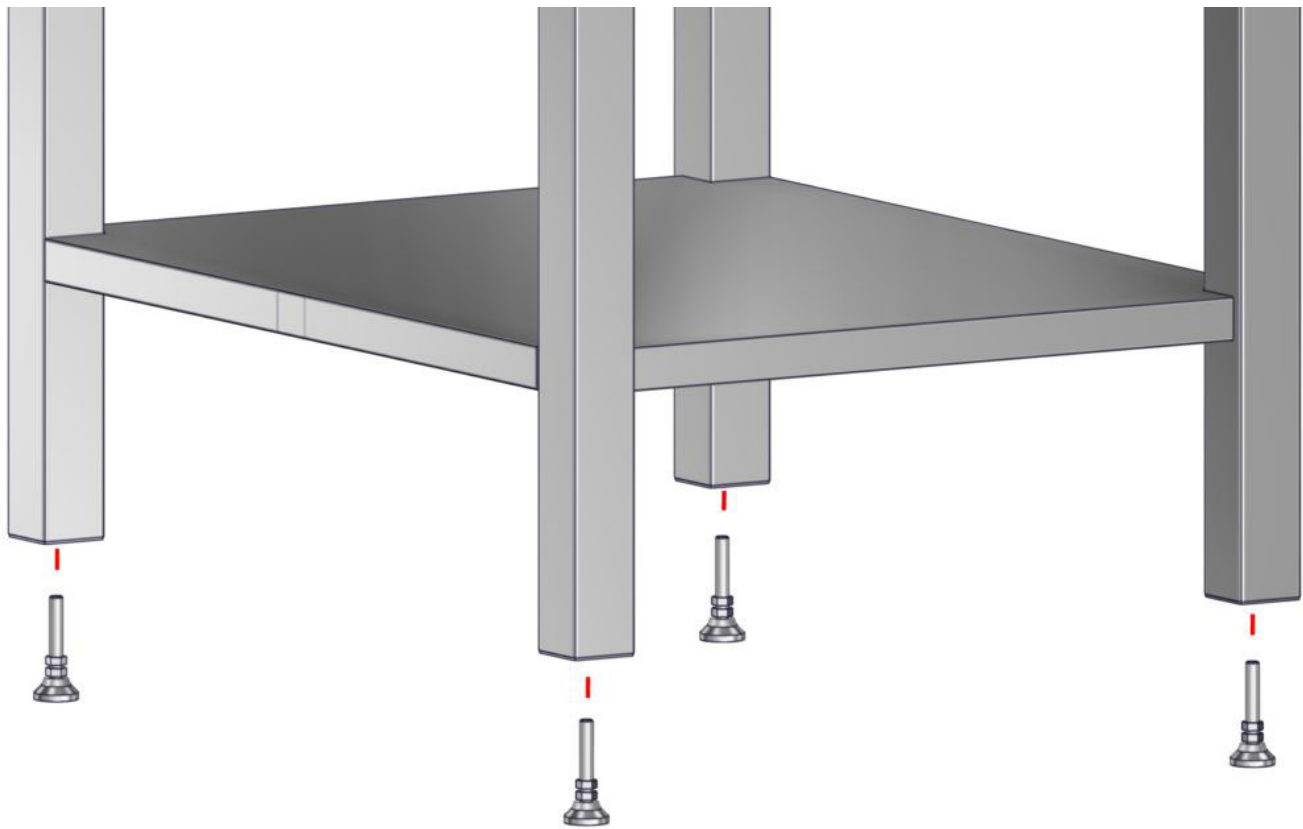
The following parts are needed for assembling the sink side tables to this model sink.

Item #	Part #	Description	QTY
1	S02000-2431-4BS-L-ASSY	Sink Side Table Assembly, Left	1
2	S02000-2431-4BS-R-ASSY	Sink Side Table Assembly, Right	1
3	S02212-101040	Support Bracket	2
4	H0004-01	1/4-20 Lock Nut (not shown)	18
5	H0016-10	Hex Head Bolt, 1/4-20 x 1/2 (not shown)	18
6	H0202-01	Swivel Leveling Mount	8
7	S02212-190	Floor Anchor	8



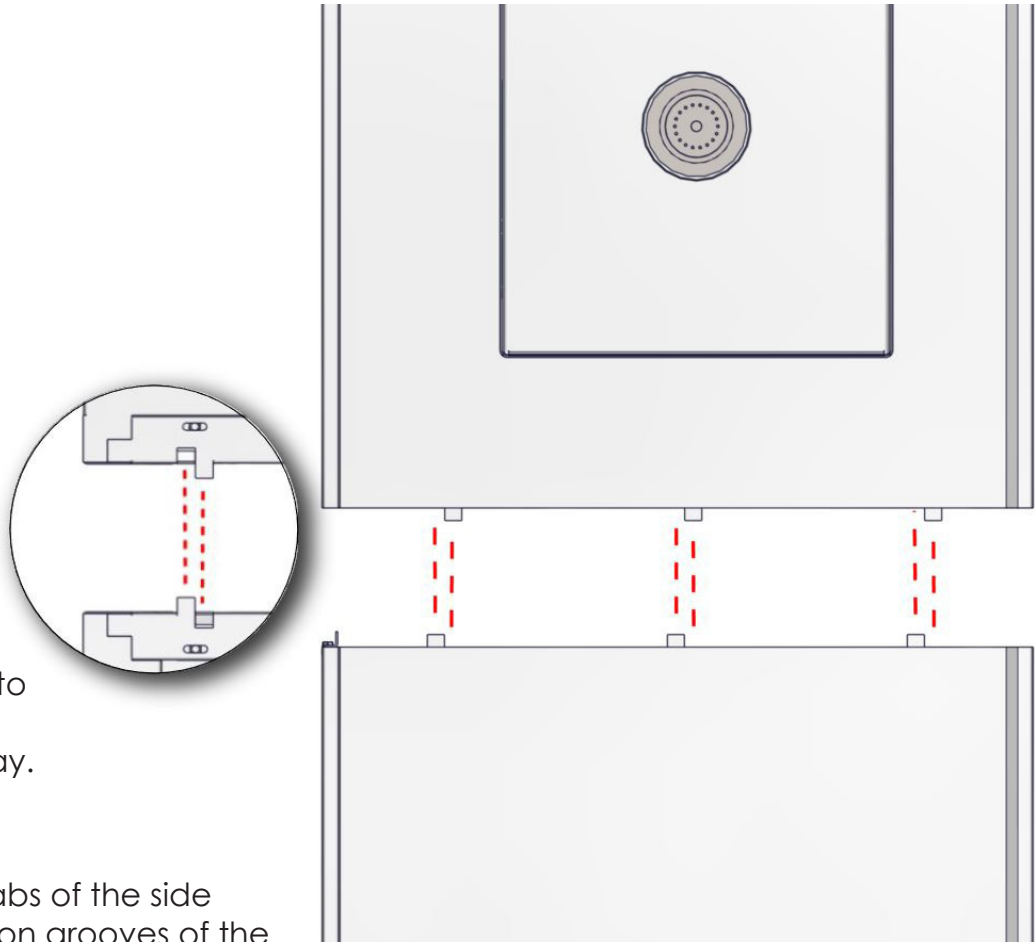
Attach Levelers to the Tables

Attach 4 levelers to each table.



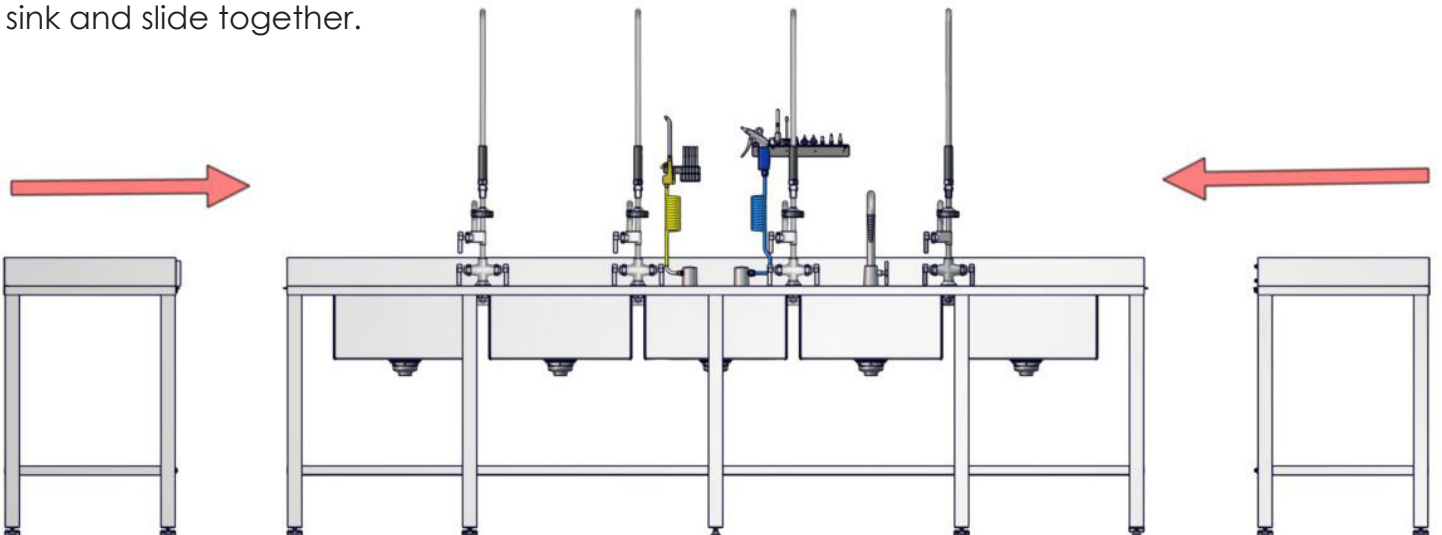
Attaching the Sink Side Tables

To attach the side tables, note that there are 3 mating tabs and grooves located on both the sink and 3 tabs and grooves on the side tables, as shown in this top view.



The mating tabs fit into insertion grooves, as shown in this cut-away.

Line up the mating tabs of the side tables with the insertion grooves of the sink and slide together.

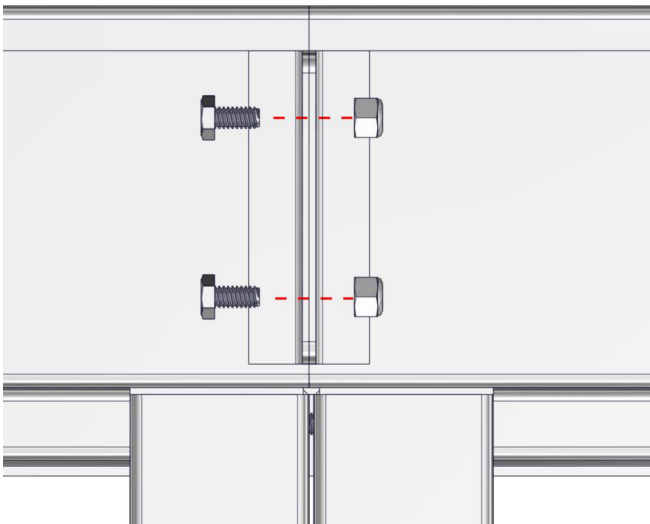


Bolt Table to the Sink

After sliding the Side Tables mating tabs into the sink and fitting the sink and tables together, next bolt the tables to the sink.

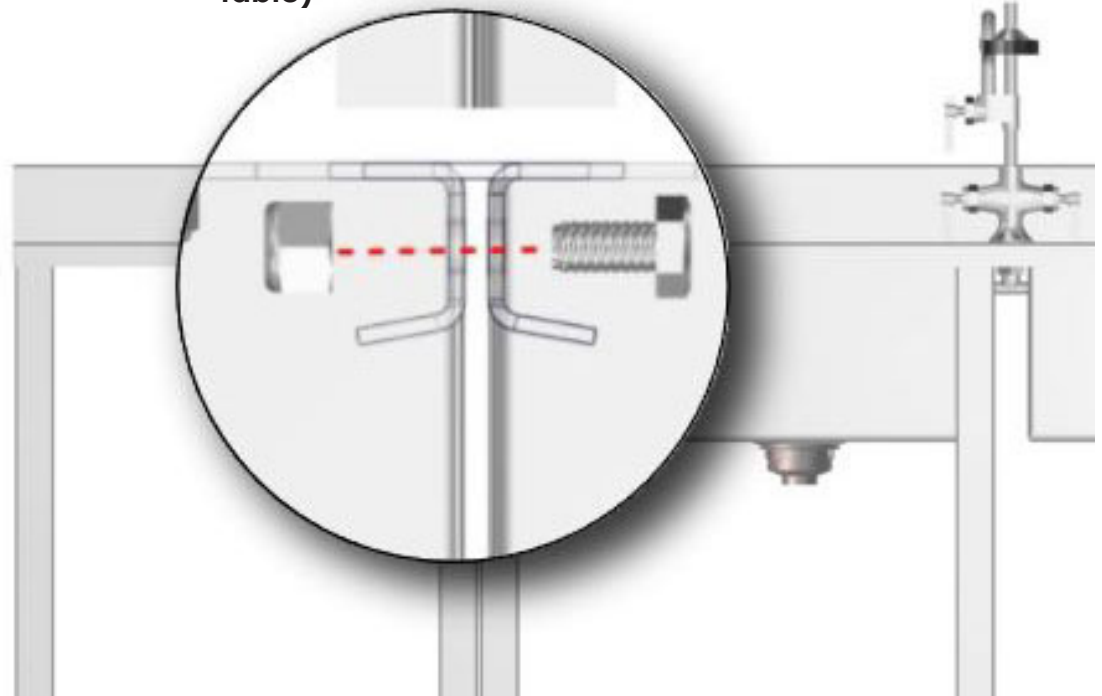
Bolt both sink top and table top together (6 bolts/nuts per table). This includes the side brackets on both the side table and the sink.

Bolt together the sink bottom shelf and table bottom shelf (3 bolts/nuts per table).



Bolt Side Brackets Together (2 bolts/nuts per table)

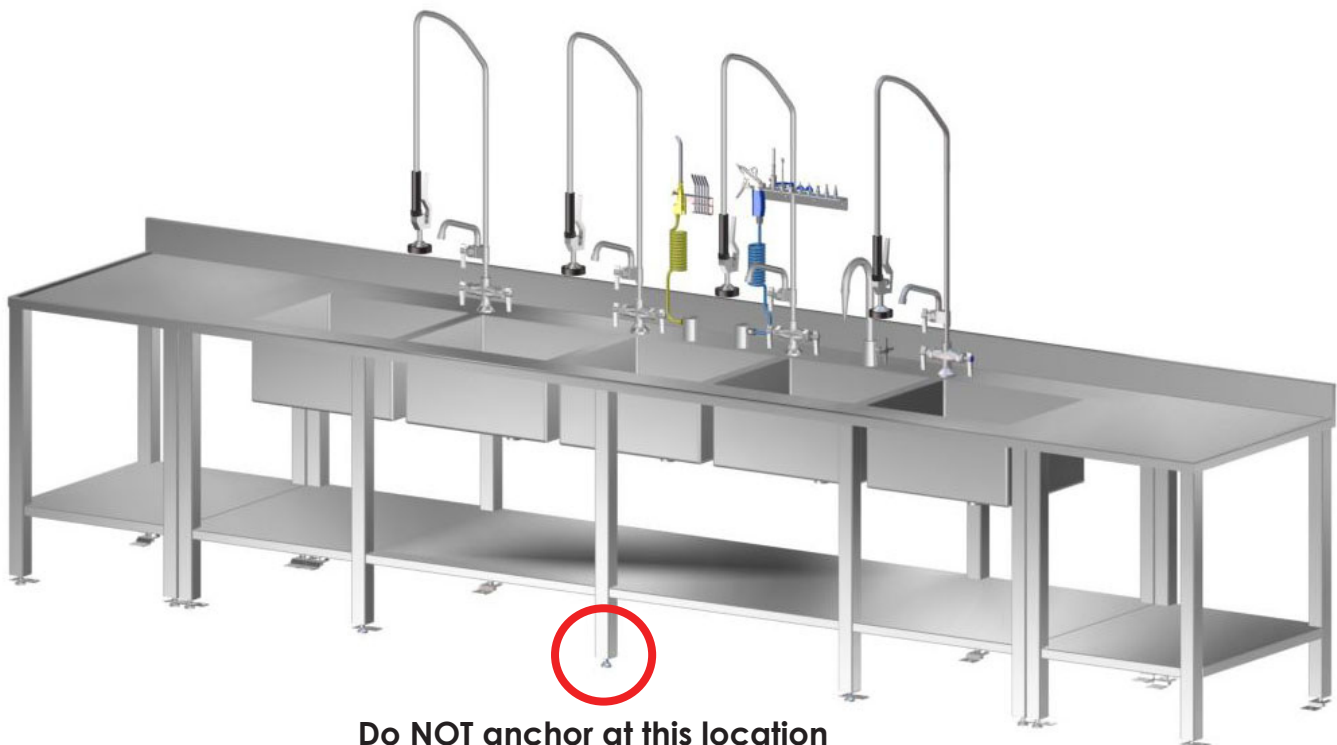
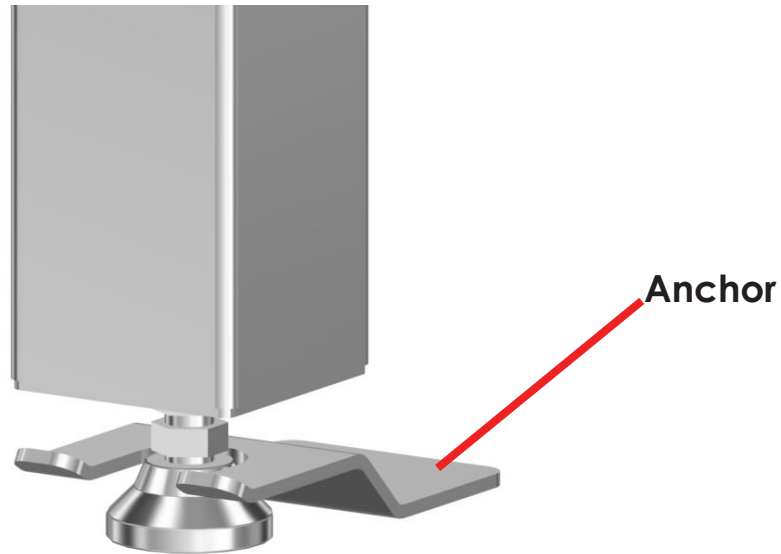
Bolt Table and Sink Together (4 Bolts/Nuts per table)



Level Sink and Anchor

After the tables and sink are bolted together, level the sink and tables by adjusting all the levelers.

When the sink is leveled, next attach the anchor to the sink and table levelers and bolt into place (according to local regulations). Do NOT anchor the center of the sink.



Do NOT anchor at this location

To place an order, contact our customer service department at **618-476-3550** or **877-828-9975** or by email at **sales@macmedical.com**

MAC Medical, Inc.
Printed in USA
Publication No. MAN-025
October 2015

Information regarding this product is subject to change without prior notice.



Customer needs are our first priority.

Corporate Office
325 West Main Street
Belleville, IL 62220

Manufacturing Plant
820 South Mulberry Street
Millstadt, IL 62260

Phone: 618-476-3550 • Toll Free: 877-828-9975 • www.macmedical.com