



A: Installing Wall Mounted Stainless Steel Shelves

Wall mounted stainless steel shelves can be installed to complement all processing and scrub sinks. Use the following steps to install the stainless steel shelves.

1. Carefully measure the hole pattern on the two shelf brackets and mark the measurements on the wall where the shelves are to be installed.
2. Drill four holes in the wall and use adequate wall anchors capable of supporting the weight of the shelf and items on it.
3. Using customer provided wall anchoring hardware, secure the left and right shelf brackets to the wall.
4. Align the four welded studs on the bottom of the shelf with holes in the top of the left and right shelf brackets.
5. Secure the shelf to the side brackets using four supplied 10-32 acorn nuts. See Figure 1, below.

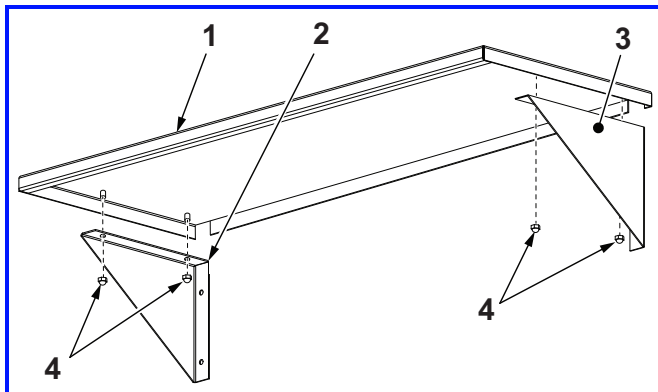


Figure 1: Installing Wall Mounted Shelving

REF	DESCRIPTION	QTY
1	Shelf, Stainless Steel	1
2	Shelf, Side Bracket, Left Side	1
3	Shelf, Side Bracket, Right Side	1
4	Nut, Acorn, 10-32	4

B: Cleaning the Stainless Steel Shelving

Stainless Steel medical equipment must be cleaned on a regular basis in order to prevent unnecessary damage to metal surface that can lead to corrosion. When cleaning stainless steel, make sure to use the proper cleaning agents and cleaning materials.

Regular cleaning guards against corrosion of the stainless steel protective coating.

Inappropriate cleaning supplies and chemicals can completely destroy the protective coating used on stainless steel.

In addition to chemicals, certain cleaning implements can also abrade stainless steel surfaces damaging the protective coating eventually leading to areas of corrosion.

Approved Cleaning Agents

Always use a commercially prepared stainless steel cleaner and follow the manufacturer's instructions. Do not use any cleaning agent containing chloride or bleach. These compounds must also be free of quaternary salts. Do not use chloride cleaning powder or crystals. These compounds are very common and are found in many industrial cleaning products. Wipe down the shelving at least once a week using a hospital grade disinfectant. Rinse the stainless steel shelving with distilled water after cleaning and dry with a soft, lint-free cloth.

Approved Cleaning Materials

Certain cleaning materials can damage the protective surfaces on stainless steel. Do not use scrapers, either metal or plastic, for cleaning stainless steel. These tools can gouge or scrape the protective coating allowing corrosion to set in shortening the life of the stainless steel.

Never use wire brushes or abrasive steel wool pads to remove residue. Do not use abrasive cleaning pads to clean stainless steel.