



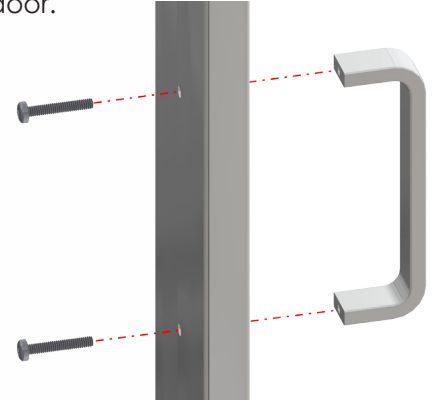
Instruction for Use - Installing Rubber Trim on Glass Instrument Cabinet Doors

1. Open the door and remove it from cabinet by sliding the door up on the hinge pins to remove the door from the cabinet.

2. Lay the door down on a pair of sawhorses or table **face UP** (to prevent the glass from falling out and breaking).

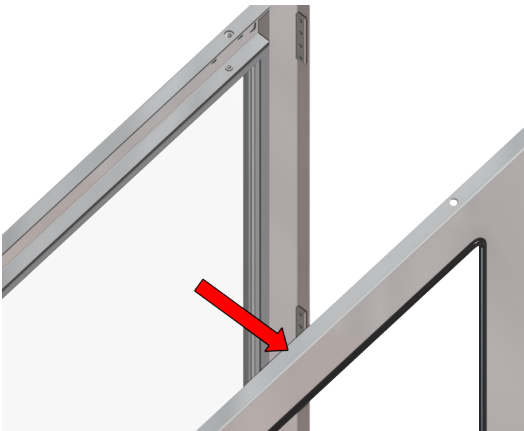


3. Remove door handle by unscrewing its screws from the interior side of the door.

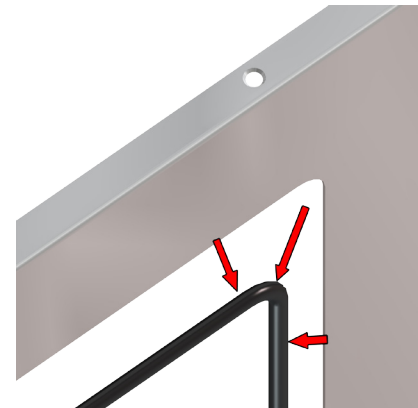


4. Remove all hinges by unscrewing them from the detached door.

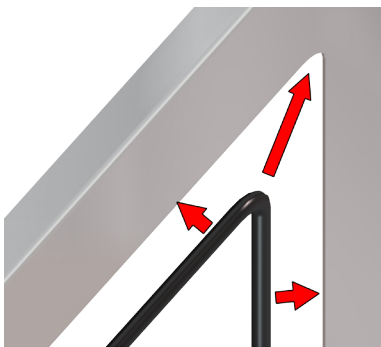
5. Remove all screws from the top, side and bottom edges of the door.



6. After removing door edge screws, detach the top door frame.




7. Detach old rubber trim from the top door frame



8. Attach new rubber trim to the top door frame by fitting the trim's V-edge all around the door frame edge. Start in the middle of the panel at the bottom of the door and work around the edge until the two ends meet. Trim to length as necessary.

9. Reassemble the door by screwing back in the door edge screws and reattach the handle.

10.  Re-hang the door onto its hinges. Take care not to pinch yourself while fitting the hinge pins into the hinge flange holes.