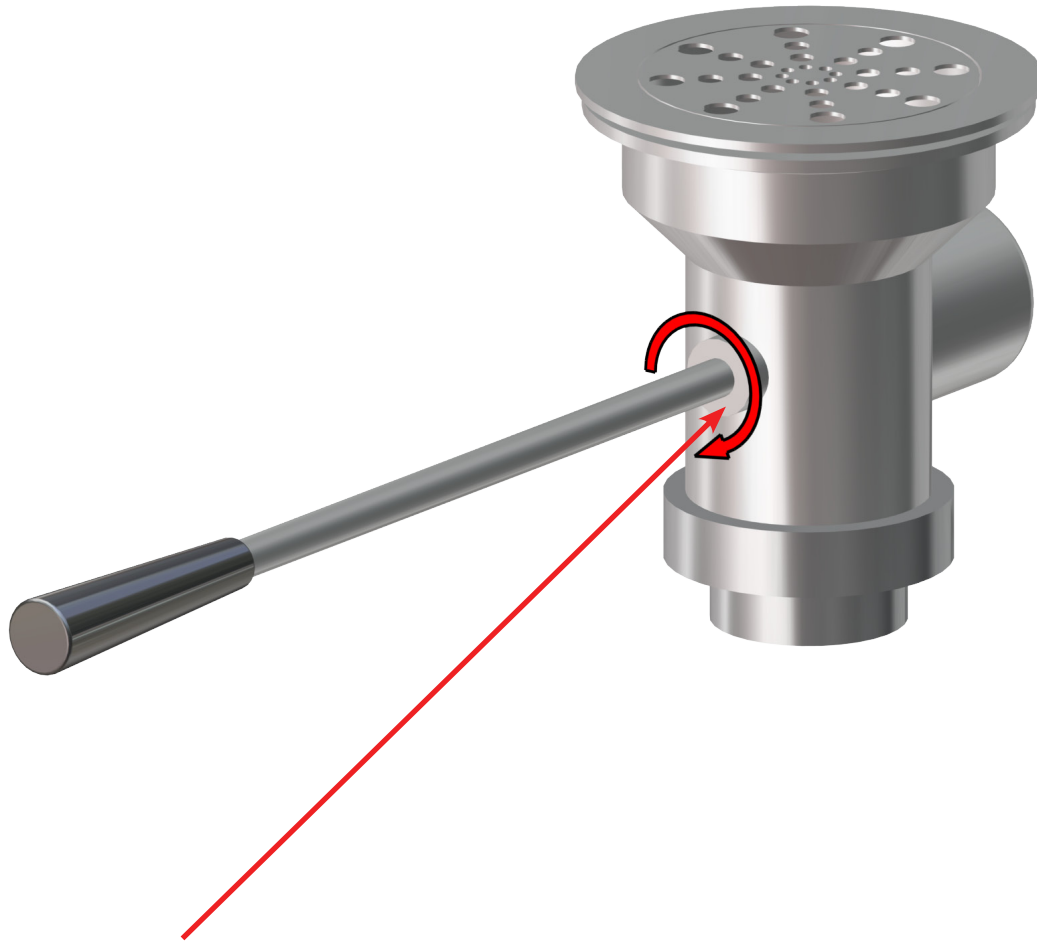




Instruction for Use - Adjusting the Handle on the Lever Handle Waste Drain



To adjust the handle on the Lever Handle Waste Drain (to prevent leaking), tighten the handle hex nut with a wrench.

