



# INSTRUCTION MANUAL



## Bolt-on Linen Hamper Ring

**! CAUTION**

Read and understand all of the instructions and safety information in this manual before operating this product.

## TABLE OF CONTENTS

<b>Parts List</b> .....	<b>3</b>
<b>Assembly Instructions</b> .....	<b>4</b>
<b>Linen Ring in Up/Down Position</b> .....	<b>5</b>
<b>Moving Linen Ring Up or Down</b> .....	<b>6</b>
<b>Lift Off Top Ring to Fit Hamper Bag</b> .....	<b>7</b>

## DESCRIPTION OF PRODUCT

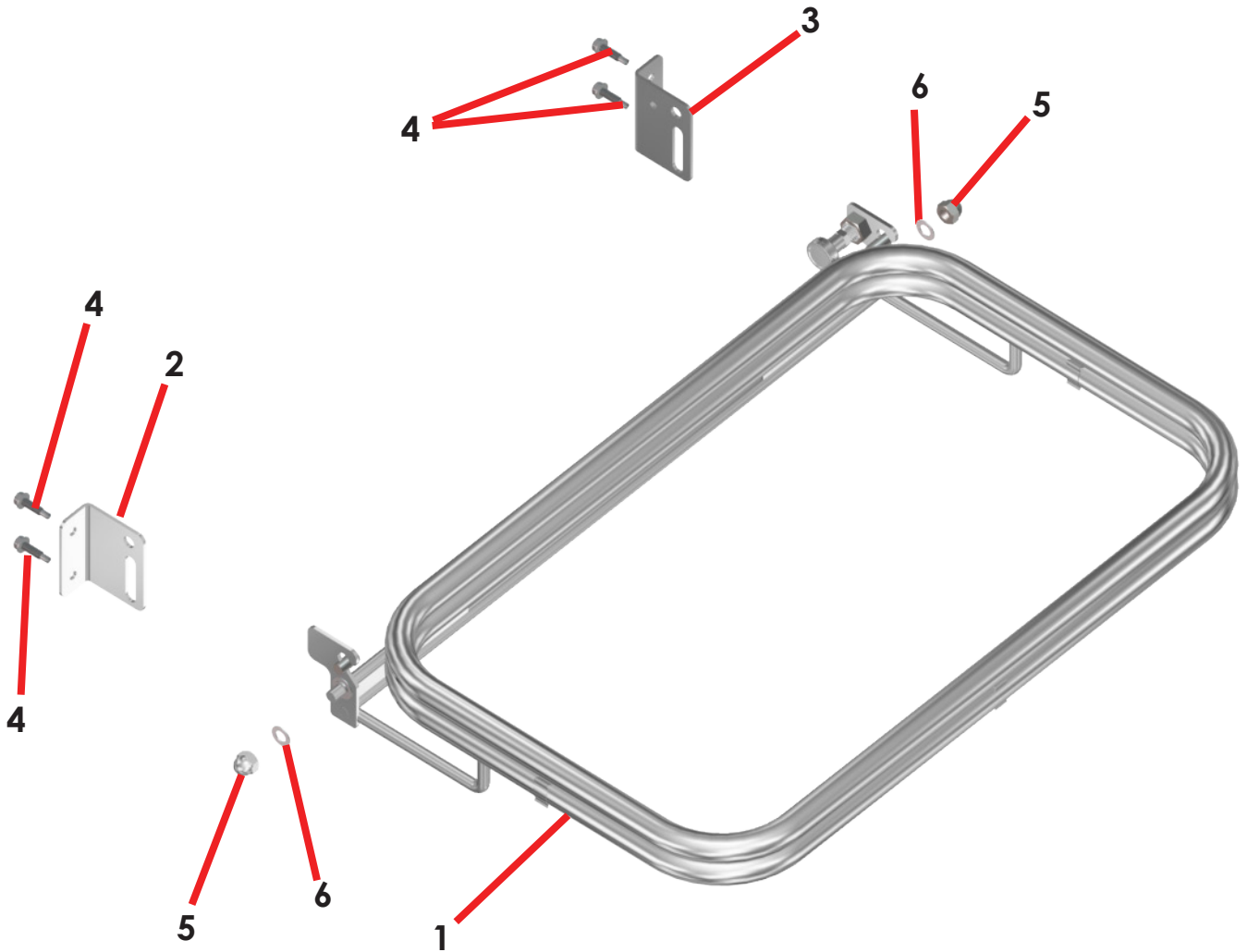
This is part #CC0300T-01-Linen-Bolt, (a bolt-on linen hanger ring for attachment to an open case cart).

## PURPOSE OF THIS MANUAL

This is an instructional manual for installing the bolt-on linen hanger ring for an open case cart.

***KEEP THIS MANUAL***

## Parts List



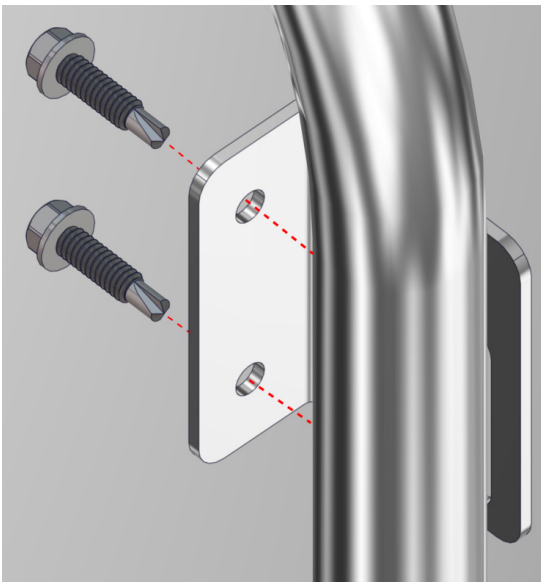
Item#	Part #	Description	QTY
1	CC0300T-01	Bolt-on Linen Hamper Ring	1
2	CC0310L-06	Linen ring mtg. Brkt., Left	1
3	CC0310R-07	Linen Ring Mtg. Brkt., Right	1
4	H0012-06	#1/4"-20 X 1" Self Drill Sheet Metal Screw S.S.	4
5	H0048-06	3/8-16 Acorn Nut S.S.	1
6	W0115-04	Nylon Washer	2

## Assembly Instructions

The Bolt-On Linen Ring is installed by bolting it onto the cart.

**Step 1:** Mark bracket locations and pre-drill (4) Ø.125" pilot holes.

**Step 2:** Using the supplied self-drilling metal screws (item 4 of the parts list), screw onto the left side of the cart rail the Left Linen Ring Mtg Brackets (item 2 of the parts list) as shown below. Screw the Right Linen Ring Mtg Bracket (item 3 of the parts list) onto the right side rail of the cart.

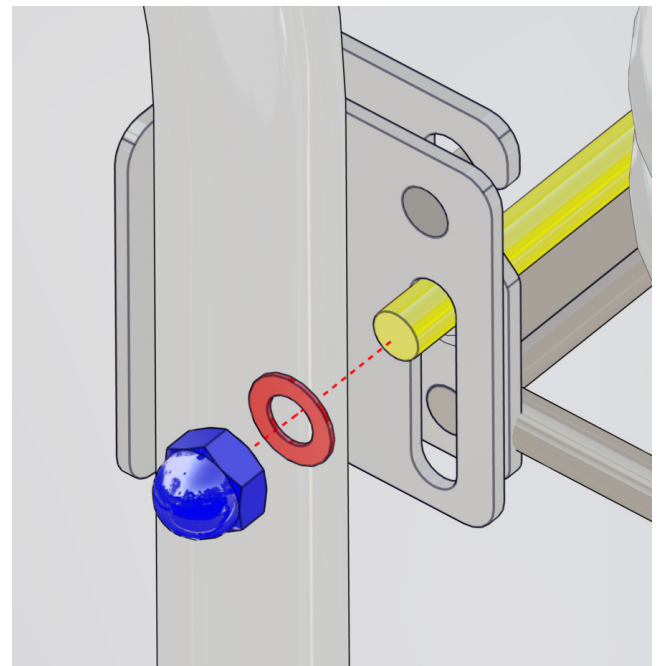


**Screw Brackets onto both sides of the cart.**

**Step 3:** Insert Linen Ring by aligning the ring support (shown below in yellow) with the bracket slot and inserting on both sides.

**Step 4:** Insert the nylon washer (shown below in red) onto the ring support and screw the acorn nut (shown below in blue) onto the ring support to secure it. Do the same for the other side.

**Ring Support inserted in bracket slot and showing acorn nut and washer.**



**Linen Ring in Up/Down Position**



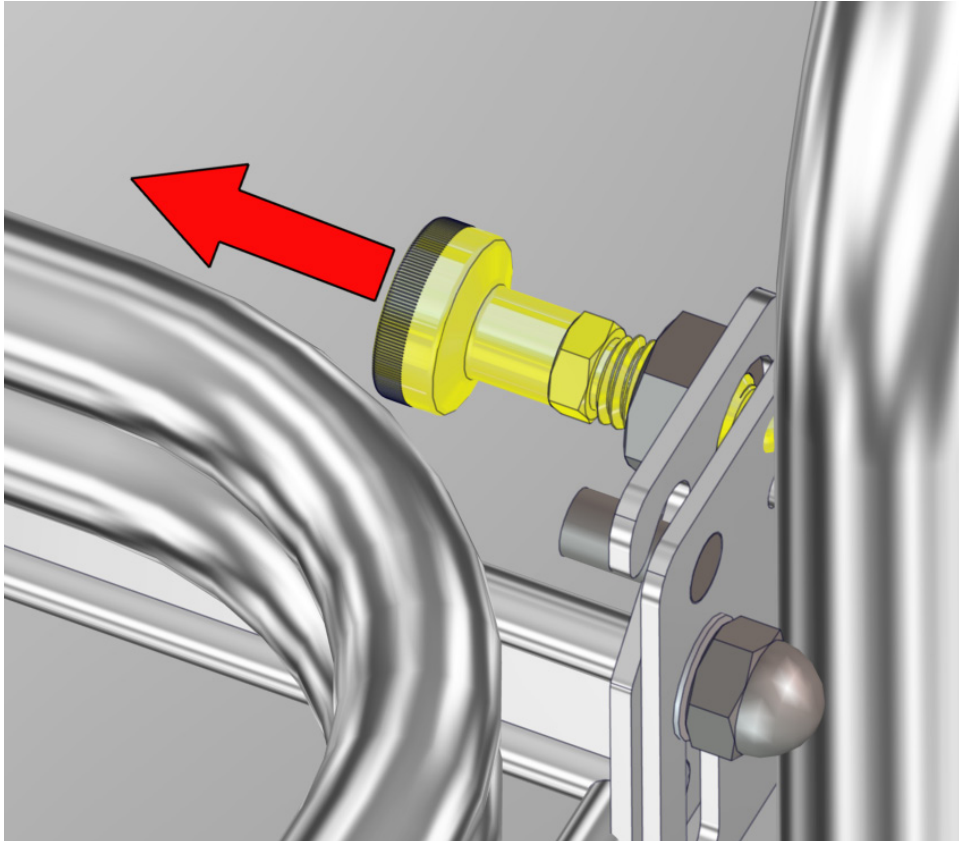
**Up Position**



**Down Position**

## Moving Linen Ring Up or Down

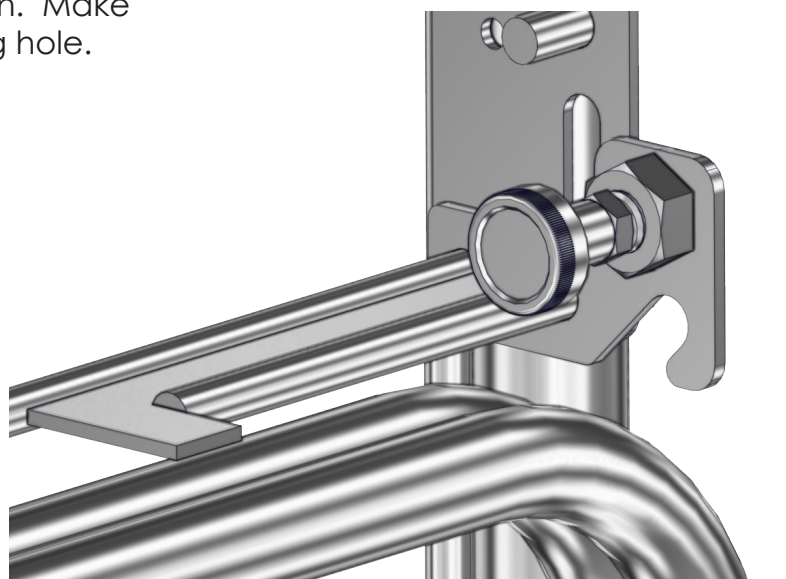
To move the Linen Ring down, pull the retractable plunger out to release it from its retaining hole in the bracket. This will allow the Linen Ring to rotate and move down. Also, in its released state, the Linen Ring can be slid along the bracket slot.



**Pull the plunger out to release the Linen Ring**

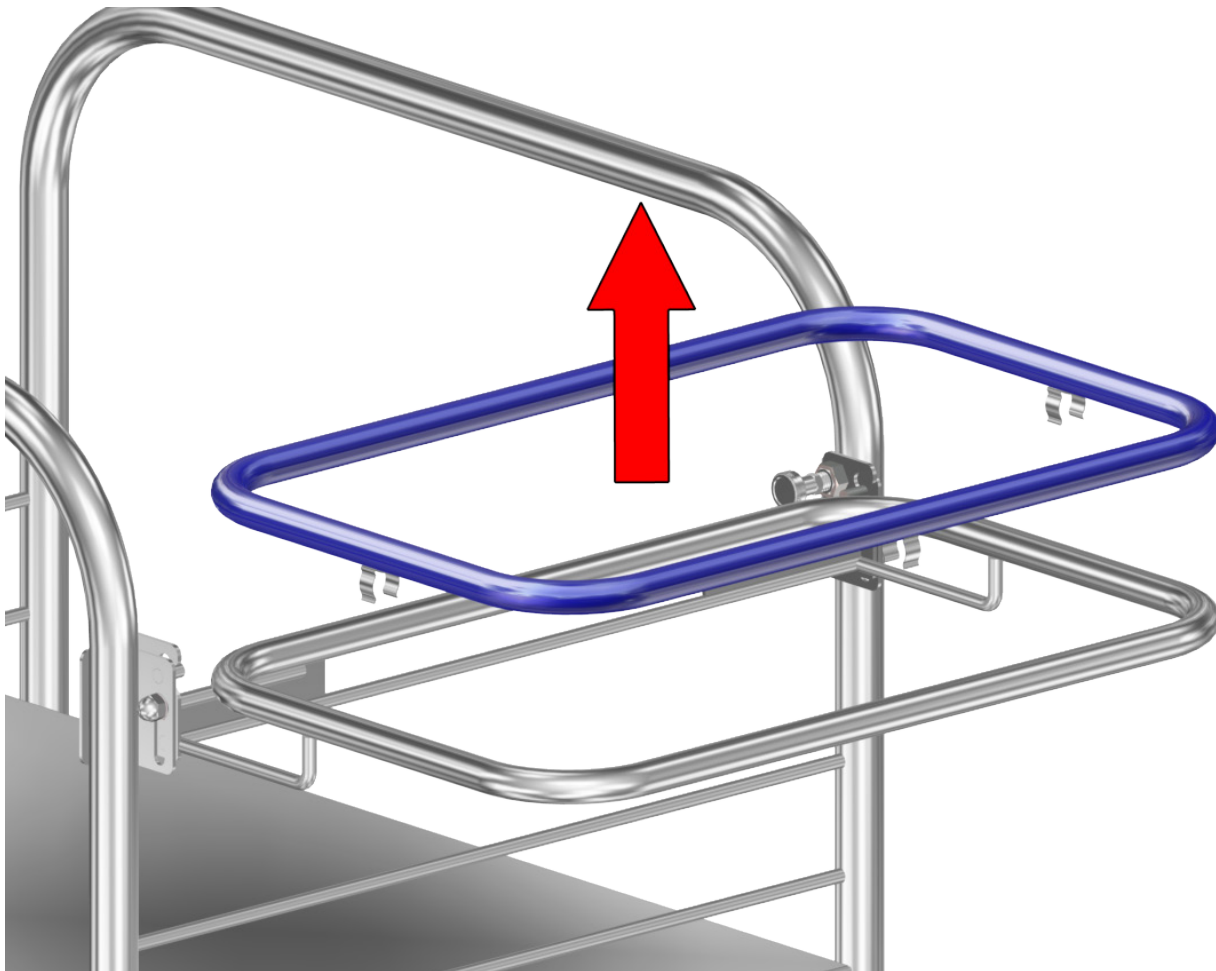
To move the Linen Ring up, retract the plunger and lift the Linen Ring back to its original position. Make sure the plunger is re-inserted in its retaining hole.

**Close-up of Retractable Plunger with Linen Ring in the down position.**



## Lift Off Top Ring to Fit Hamper Bag

To fit a hamper bag on the Linen Ring and to secure to bag, lift off the top ring. Drope the edges of the hamper bag on the bottom ring and press the top ring back down over the bag onto the bottom ring.



To place an order, contact our customer service department at **618-476-3550** or **877-828-9975** or by email at **sales@macmedical.com**.

MAC Medical, Inc.  
Printed in USA  
Publication No. MAN-026  
October 2015

Information regarding this product is subject to change without prior notice.



*Customer needs are our first priority.*

**Corporate Office**  
325 West Main Street  
Belleville, IL 62220

**Manufacturing Plant**  
820 South Mulberry Street  
Millstadt, IL 62260

Phone: 618-476-3550 • Toll Free: 877-828-9975 • [www.macmedical.com](http://www.macmedical.com)