

Instruction for Use - Installing a Paper Roller Dispenser on a Stretcher

The purpose of these instructions are to describe the installation of a Paper Roller Dispenser Kit on a MAC Medical Stretcher.

The following tools will be necessary to perform this installation:

1/4" Socket Wrench

The STR0273 Paper Roll Dispenser Kit will contain the following:

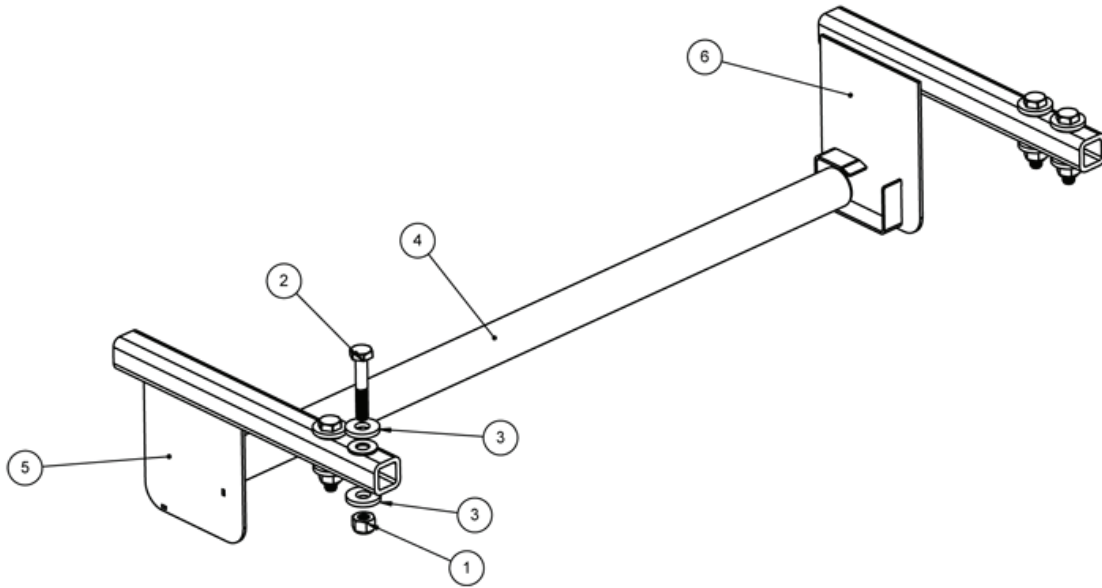
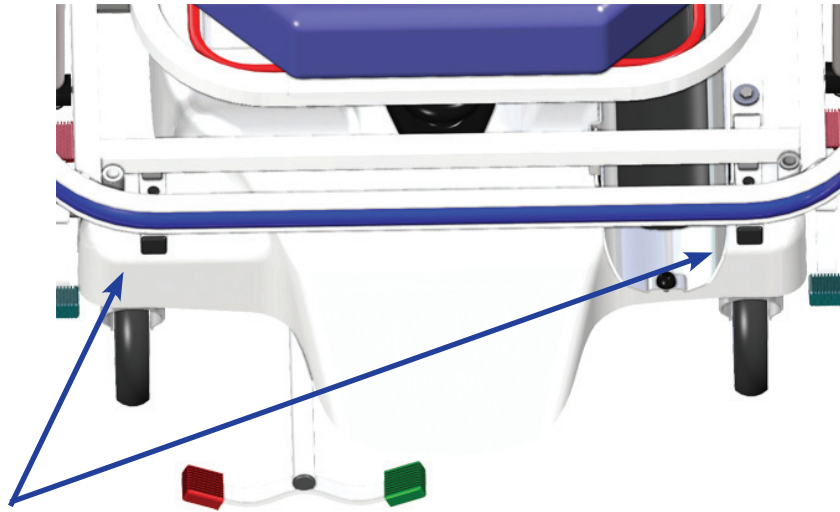


Fig. 1: Paper Roll Dispenser Assembly Kit

ITEM NO.	PART NUMBER	DESCRIPTION	QTY.
1	H0004-01	1/4-20 LOCK NUT	4
2	H0016-21	1/4-20 X 1 1/2 LG HEX HEAD BOLT	4
3	HDW0001-03	1/4" FLAT WASHER	8
4	STR0268-01	PAPER ROLL TUBE	1
5	STR0271L-01	PAPER ROLL BRACKET ASSEMBLY, LEFT	1
6	STR0271R-01	PAPER ROLL BRACKET ASSEMBLY, RIGHT	1

Instruction for Use - Installing a Paper Roller Dispenser on a Stretcher

1. Begin by removing the 2 black plastic end caps and 4 black plastic top caps from the two Mounting Sleeves at the foot of the frame assembly (fig. 2-3)



Remove plastic end caps

Fig. 2: Plastic End Caps in Mounting Sleeves

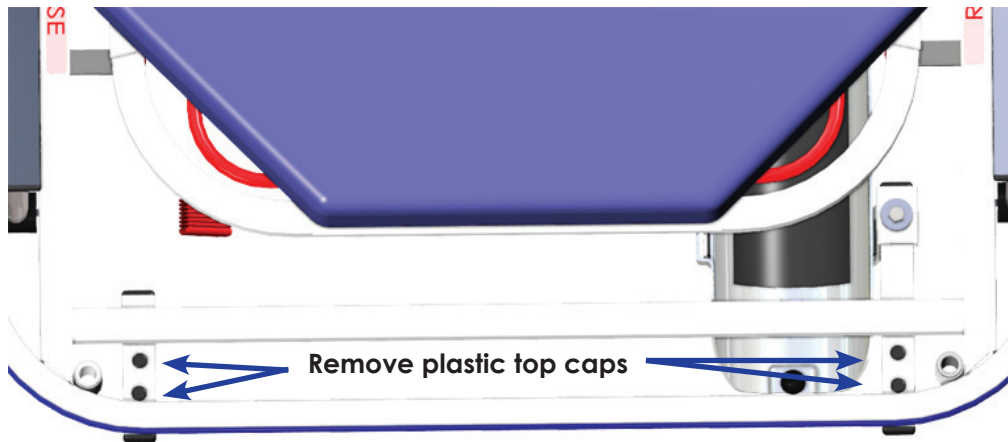


Fig. 3: Plastic Top Caps in Mounting Sleeves

Instruction for Use - Installing a Paper Roller Dispenser on a Stretcher

- Slide the arms of the Left and Right side Paper Roller Bracket Assemblies into the ends of Mounting Sleeves, until the holes in the arms line up with the holes in the Mounting Sleeves (Fig. 4-5). Make sure that the brackets on each Bracket Assembly that are meant to hold the Paper Roll Tube are facing inward.



Fig. 4: Slide arm into Mounting Sleeve.

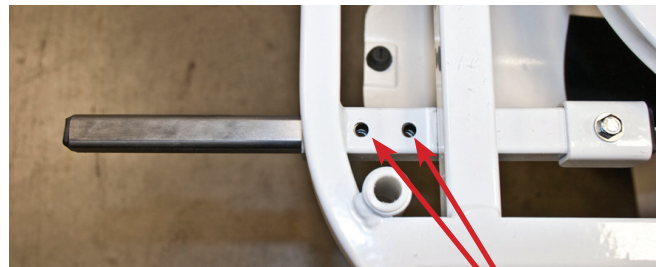


Fig. 5: Align holes

Holes aligned

- Insert the large hex head bolt into the flat washer. Insert both into the top of one of the four holes in the Mounting Sleeves (Fig. 6)



Fig. 6: Insert Bolt and Washer from top.

Instruction for Use - Installing a Paper Roller Dispenser on a Stretcher

- From below, place a flat washer over the exposed threads of the hex head bolt, and screw the 1/4" Lock Nut onto the threads until both Lock Nut and Washer are flush with the bottom of the Mounting Sleeve. Hold on to the Lock Nut on the bottom and tighten the hex head bolt from above with the socket wrench. Make sure bolt and nuts are secure (Fig. 7)



Fig. 7: Attache Bottom Washer and Nut



Fig. 8: Left side roll bracket assembly installed.

- Repeat Steps 3 and 4 for the other hole in the Mounting Arm. A fully mounted Paper Roller assembly is shown in Fig. 8.
- Repeat Steps 2 thru 5 for the other Bracket Assembly on the other side of the stretcher.
- Place the roll of paper onto the assembly by inserting the roller tube ends into the inner brackets of the Paper Roller Assembly. The Paper Roll Dispenser is now ready for use (Fig. 9)



Fig. 9: Fully installed Paper Roller Dispenser.