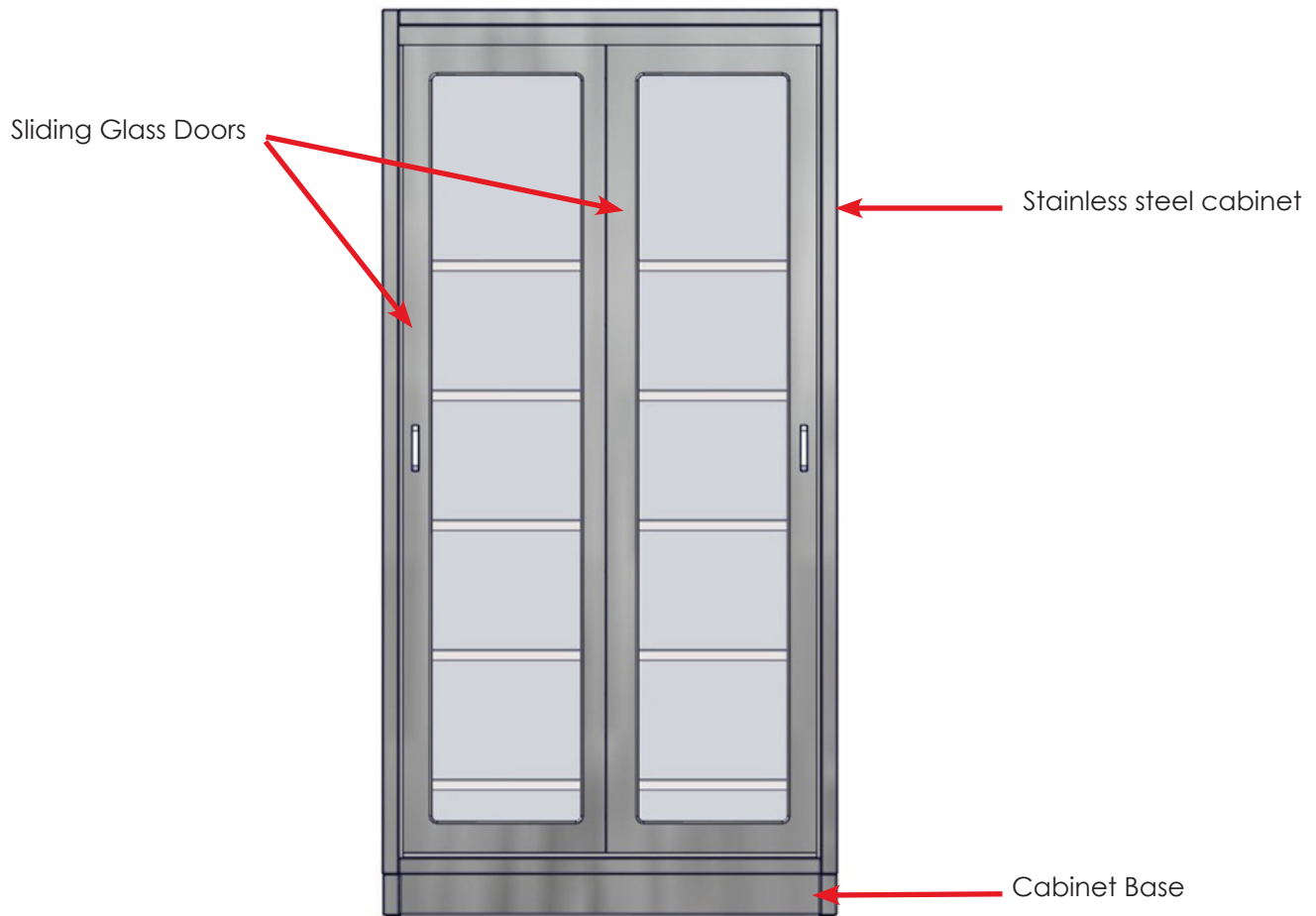


Instruction for Use - Adjusting Sliding Glass Doors on Stainless Steel Cabinets

These instructions cover the installation of stainless steel cabinets with Sliding Glass Doors, and the technique for properly adjusting the fit of the Sliding Glass Doors.

The Sliding Glass Door Cabinets are shipped fully assembled and factory adjusted. However, it may be necessary for the user to make final adjustments at their facility.



To perform the installation and adjustment you will need the following -

Crescent Wrench
Phillips-head screwdriver
Red Loctite

Information regarding this product is
subject to change without prior
notice.

Printed in USA
Publication No. IFU-141 Rev A
August 2018


Instruction for Use - Adjusting Sliding Glass Doors on Stainless Steel Cabinets

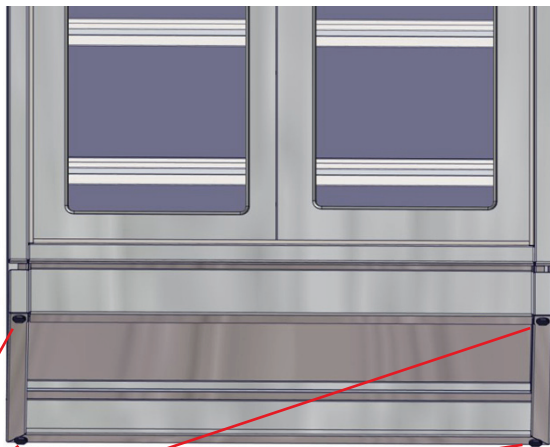
LEVEL THE CABINET

 Important: Place the Cabinet on a solid, level platform to ensure proper door functionality.

1. At the base of the cabinet are 4 Leg Levelers (Fig 1 and 2). These can each be individually adjusted with a crescent wrench to achieve a proper level.

A thin wrench can be inserted beneath the cabinet to make the adjustment. If necessary, the cabinet can be tilted back slightly to allow better access to the Leg Levelers.

 Caution! If the Cabinet must be tilted back to make the Leg Leveler adjustments, at least two people should perform the operation to ensure safety.



Leg Levelers

Fig. 1: Cabinet base with Leg Levelers



Fig. 2: Leg Leveler

Instruction for Use - Adjusting Sliding Glass Doors on Stainless Steel Cabinets

ADJUSTING THE SLIDING GLASS DOORS

Adjustments to the Sliding Glass Doors must be made at the inside top of each sliding door (Fig. 3, shown with rear panel of cabinet removed for clarity).

Each door has two slotted wheel plates that are attached to the inside of the sliding doors via 3 screws. The wheels roll inside a steel channel running along the top of the cabinet (Fig. 4).



Fig. 3: Top inside of sliding doors

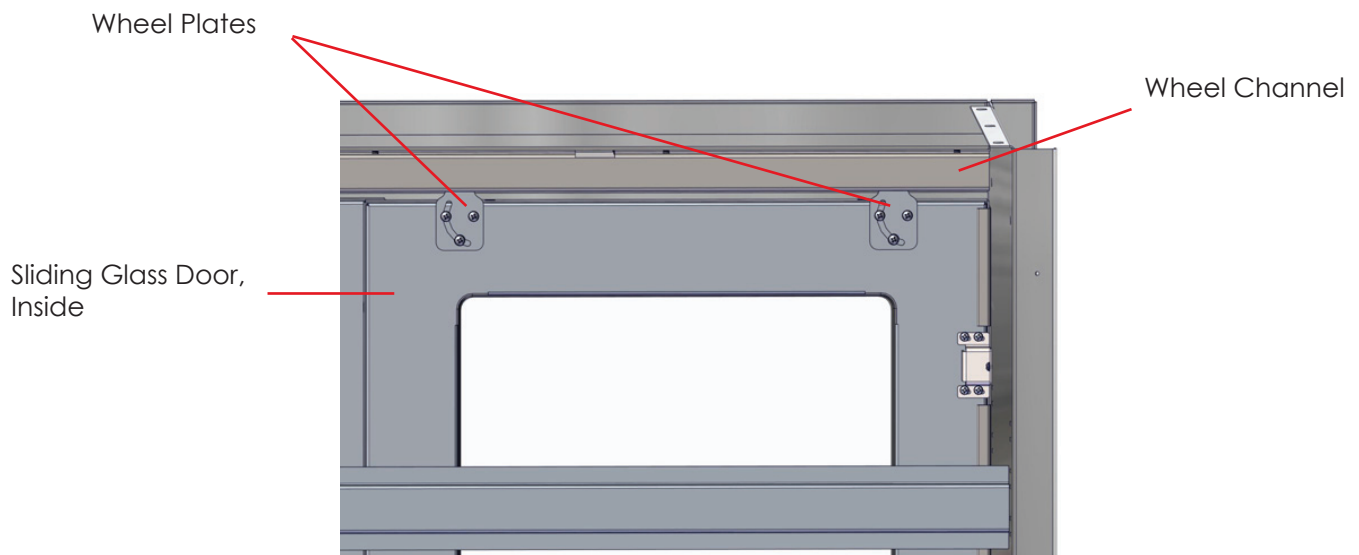


Fig. 4: Sliding Glass Door with Wheel Plates

Instruction for Use - Adjusting Sliding Glass Doors on Stainless Steel Cabinets

1. Using the phillips-head screwdriver, slightly loosen the three screws holding the wheel plate to the sliding glass door (Fig. 5 with channel removed for clarity).
2. Carefully move the door back and forth along the adjustment slots in the wheel plate until the desired adjustment is achieved. Apply Red Loctite (Fig. 6) to the three screws.
3. Using the phillips-head screwdriver, tighten the three screws holding the wheel plate to the sliding glass door. Wipe off any excess Loctite with a clean dry cloth.

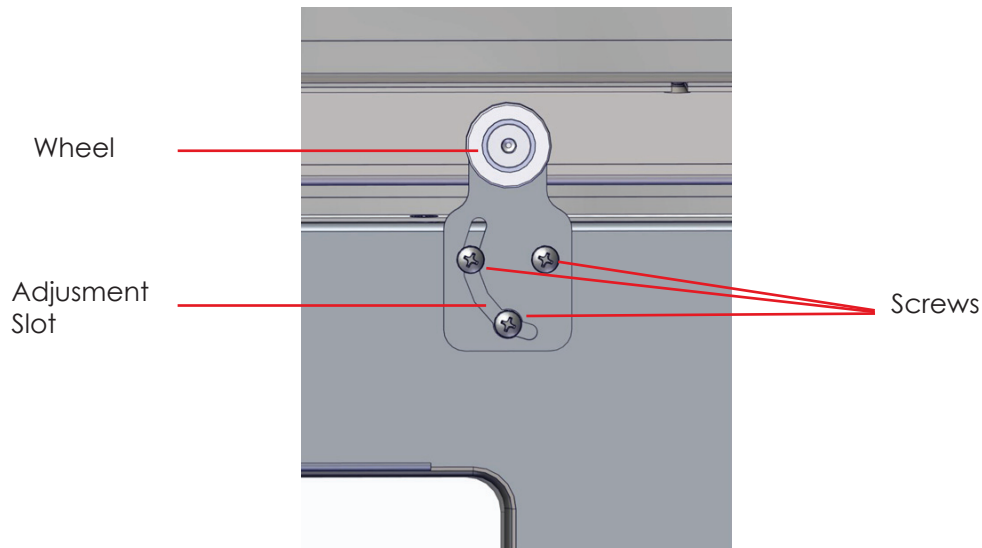


Fig. 5: Wheel plate and screws detail



Fig. 6: Red Loctite