



# INSTRUCTION MANUAL



## CASEWORK WALL SHELVES

### Cleaning and Maintenance

**! CAUTION**

Read and understand all of the instructions and safety information in this manual before operating this product.

## DESCRIPTION OF PRODUCT

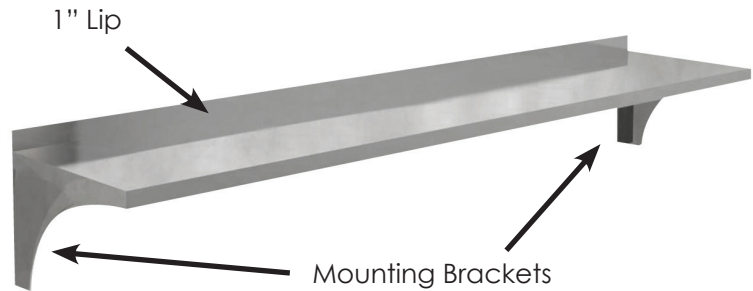
The products covered in this manual are:  
Stainless steel Wall Shelves

## PURPOSE OF THIS MANUAL

This manual covers the description, surface care and cleaning of stainless steel Wall Shelves.

### Standard Features:

- Type 300 Stainless Steel
- 1" lip on back
- Pre-Drilled for easy wall mounting (mounting hardware not included)



Model #	Overall Dimensions	Brackets
MWS-2408	8"D X 24"W	2
MWS-3608	8"D X 36"W	2
MWS-4808	8"D X 48"W	2
MWS-6008	8"D X 60"W	3
MWS-7208	8"D X 72"W	3
MWS-8408	8"D X 84"W	4
MWS-9608	8'D X 96"W	4
MWS-2412	12"D X 24"W	2
MWS-3612	12"D X 36"W	2
MWS-4812	12'D X 48"W	2
MWS-6012	12"D X 60"W	2
MWS-7212	12"D X 72"W	3
MWS-8412	12"D X 84"W	4
MWS-9612	12"D X 96"W	4
MWS-2416	16"D X 24"W	2
MWS-3616	16"D X 36"W	2
MWS-4816	16"D X 48"W	2
MWS-6016	16"D X 60"W	3
MWS-7216	16"D X 72"W	3
MWS-8416	16"D X 84"W	4
MWS-9616	16"D X 96"W	4

# KEEP THIS MANUAL

## Unpacking and Inspection Instructions



CAUTION: The Stainless Steel Wall Shelf is heavy and it is recommended that at least two people assist with the unpacking.

- If the shipping container appears to be damaged in any way, contact the shipping company immediately. Save all damaged packaging materials.
- Carefully inspect the Wall Shelf while unpacking. If it appears damaged or defective in any way, call your Mac Medical representative.

## ASSEMBLY AND MOUNTING INSTRUCTIONS

1. Mount Shelf Brackets to bottom of Shelf by affixing acorn nuts (provided) to weld studs on the bottom of the shelf (Fig. 1).
2. **Mount shelf to desired location on wall via holes in the rear of the mounting brackets (mounting hardware not provided) (Fig. 2).**

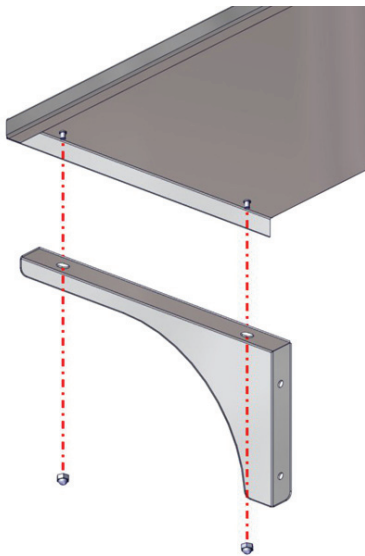


Fig. 1: Mount Bracket to Shelf

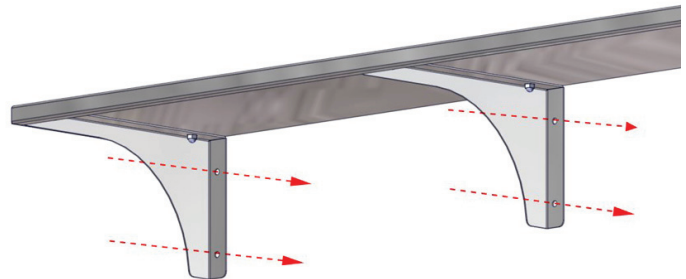


Fig. 2: Mount shelf to wall

## Cleaning and Maintenance

Stainless Steel Wall Shelves must be cleaned on a regular basis in order to prevent unnecessary damage to the stainless steel surface. When cleaning the stainless steel Wall Shelf, make sure to use the proper cleaning agents and cleaning materials.



**CAUTION:** DO NOT USE the following materials on the stainless steel surfaces of the Stainless Steel Wall Shelf:

Abrasive Pads  
Scrapers  
Steel Wool  
Wire Brushes



**CAUTION:** DO NOT USE the following agents on the stainless steel surfaces of the Stainless Steel Wall Shelf:

Hard water.  
Bleach or any products containing Chlorine  
Hydrochloric Acid  
Denatured Alcohol



**NOTE:** Always follow the manufacturer's directions for any chemicals used on the stainless steel surfaces of the the Stainless Steel Wall Shelf.

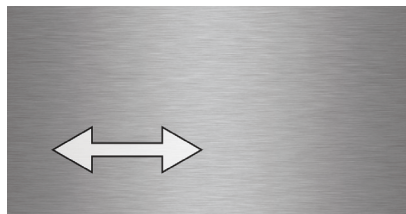
Use the following cleaning materials and agents:

Soft, clean lint-free cloth  
Distilled water  
Distilled water with mild detergent  
Cleaners approved for use on stainless steel

### **How to clean the Stainless Steel Wall Shelf -**

Stainless Steel:

1. Use the commercially prepared stainless steel cleaner and follow the manufacturer's directions.
2. Clean the Stainless Steel Wall Shelf with the grain of the Shelf



Decals or Printed Labels:

3. Use distilled water and a mild detergent applied with a lint-free cloth. DO NOT use any chemical cleaners.

## Limited Lifetime Warranty

MAC Medical warrants to the original purchaser that its Proprietary Products will be free from defects in workmanship or materials under normal use and service for the life of the product, so long as owned by the original purchaser, according to the limitations set forth below.

Defective products shall be repaired or replaced at MAC Medical's option at no cost to the original purchaser provided:

1. The customer must obtain a written return authorization supplied by MAC Medical's customer service department. The product must be returned, properly packaged, with a copy of the original sales receipt and copy of the RMA authorization. Please call (877) 828-9975 or (618)476-3550 to receive a return authorization.
2. The customer must pre-pay freight charges to and from MAC Medical and must ship merchandise properly packaged, in a way the product will not be damaged during transit to the factory. MAC Medical does not warranty any freight damage to or from the factory. It is the customer's responsibility to inspect the product for packaging damage before signing the BOL.

This warranty does not apply to products, which have been subject to abuse, misuse, accident, modification, alteration, tampering, negligence, lack of routine maintenance or misapplication; or products that have been repaired by other than MAC Medical or its authorized representatives.

This warranty does not apply to glass, fabrics, vinyl, seat coverings, cushions, padding or their stitching, gluing or installation. Component parts not manufactured by MAC Medical, such as casters, caster inserts, any components made from rubber or plastic, circuit boards, fan heaters, plumbing parts, electrical switches and other components are also excluded. For these component parts, MAC Medical will pass on the original manufacturer's warranty to MAC Medical equipment original purchasers. Please consult factory for questions regarding the warranties of these component parts. This warranty does not apply to custom fabricated products. Consult factory.

UNLESS EXPRESSLY SET FORTH IN THIS WARRANTY, THERE ARE NO OTHER WARRANTIES, WHETHER EXPRESS OR IMPLIED, OF FITNESS AND / OR MERCHANTABILITY OR ANY OTHER WARRANTY IMPLIED BY CUSTOM, USAGE OR COURSE OF DEALING.

Liability of MAC Medical under this warranty is limited to the repair and / or replacement of any products. MAC Medical specifically excludes and disclaims any responsibility for any incidental or consequential damages claimed to have arisen from any defect in workmanship or materials. No representative has any authority to change or enlarge the above warranty or MAC Medical liability. This document supersedes all previous warranty provisions.

To place an order, contact our customer service department at **618-476-3550** or **877-828-9975** or by email at **sales@macmedical.com**

*Customer needs are our first priority.*

MAC Medical, Inc.  
Printed in USA  
Publication No. MAN-087 REV A  
February 2019

Information regarding this product is subject to change without prior notice.



**Corporate Office**  
325 West Main Street  
Belleville, IL 62220

**Manufacturing Plant**  
820 South Mulberry Street  
Millstadt, IL 62260

Phone: 618-476-3550 • Toll Free: 877-828-9975 • [www.macmedical.com](http://www.macmedical.com)