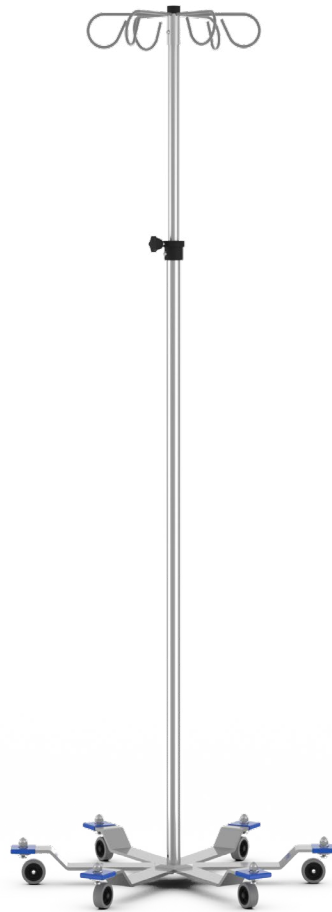




# INSTRUCTION MANUAL



## IV STANDS

### Assembly, Usage and Maintenance



Read and understand all of the instructions and safety information in this manual before operating this product.

## Table of Contents

Standard Features.....	3
Unpacking and Inspection Instructions.....	3
Assembly Instructions (IVS-5000, IVS-6000, IVS-7000 Series Stands).....	4
Adjusting the Height of the Foot Operated IV Stand (IVS-3000 Series).....	7
Adjusting the Height of the Hand Operated IV Stand (IVS-5000/IVS-6000/IVS-7000 Series).....	8
Intended Use - Casters and Wheels (Care and Maintenance).....	9
Cleaning and Maintenance.....	10
Replacement Parts - General.....	11
Limited Lifetime Warranty.....	12

### DESCRIPTION OF PRODUCT

The products covered in this manual are:  
all Stainless Steel IV Stands.

### PURPOSE OF THIS MANUAL

This manual covers Stainless Steel IV Stand assembly, use, cleaning and maintenance.

# **KEEP THIS MANUAL**

## Standard Features

All IV Stands come Standard with -

- Stainless Steel construction
- 65 lb weight capacity (10 lb per Hook)
- Height Adjustment - 68" - 108"
- 2" Swivel Casters

Model #	Height Adjustment Method	No. of Hooks	No. of Legs	Assembly Required
IVS-3004	Foot	4	5	No
IVS-3006	Foot	6	5	No
IVS-5004	Hand	4	4	Yes
IVS-5006	Hand	6	4	Yes
IVS-6004	Hand	4	6	Yes
IVS-6006	Hand	6	6	Yes
IVS-7004	Hand	4	5	Yes
IVS-7006	Hand	6	5	Yes

## Unpacking and Inspection Instructions



**CAUTION:** The IV Stand is heavy, and it is recommended that at least two people assist in the unpacking.

- If the shipping container appears to be damaged in any way, contact the shipping company immediately. Save all damaged packaging materials.
- Carefully inspect the IV Stand while unpacking. If any damaged or defective parts are seen, call your Mac Medical representative.
- The IVS-3000 Series of Mac Medical IV Stands are shipped fully assembled and ready for immediate use. No assembly is required.
- The IVS-5000, IVS-6000 and IVS-7000 Series of Mac Medical IV Stands are shipped as Knock-Down versions, and some assembly is required for those models. Instructions for their assembly are on the following pages.

## Assembly Instructions (IVS-5000, IVS-6000, IVS-7000 Series Stands)

Following are the Assembly Instructions for the IVS-5000, 6000 and 7000 Series of IV Stands. This series of stands ships completely assembled except for the wheeled bases, which must be assembled by the user.

**IMPORTANT:** Read and understand these instructions thoroughly before attempting to assemble the IV Stand.



**CAUTION:** If any components of the IV stand are damaged or missing, contact your MAC Medical representative immediately. Do not use substitute parts. Failure to use the proper replacement parts could lead to personal injury and damage to the IV Stand.

**Tools Needed:** 5/8" Socket Wrench

1. Remove all loose packaging from the shipping container.
2. Remove all IV Stand components from the shipping container.
3. Inspect IV Stand components to ensure all components are present (Fig. 1).

Components include -

1. Lower and Upper IV Pole, IV Hook Assembly and Height Adjustment Knob, already assembled
2. Wheeled Base (detached)

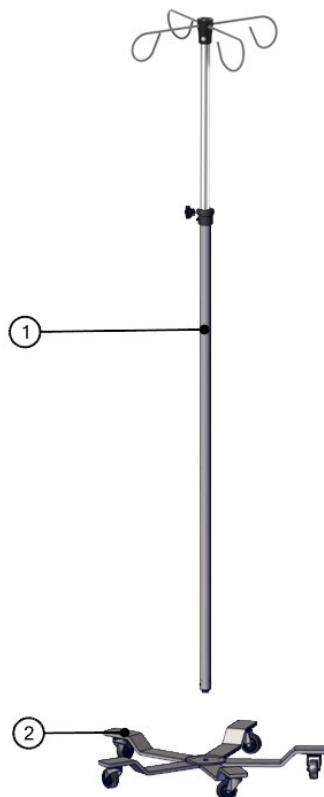


Fig. 1: Disassembled IV Stand

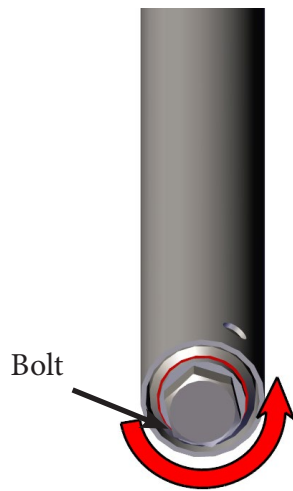


Fig. 2: Unscrew Bolt

Using a 5/8" Socket Wrench, unscrew the Bolt from the bottom of the Lower IV Pole using a leftward/ counterclockwise twist (Fig. 2).

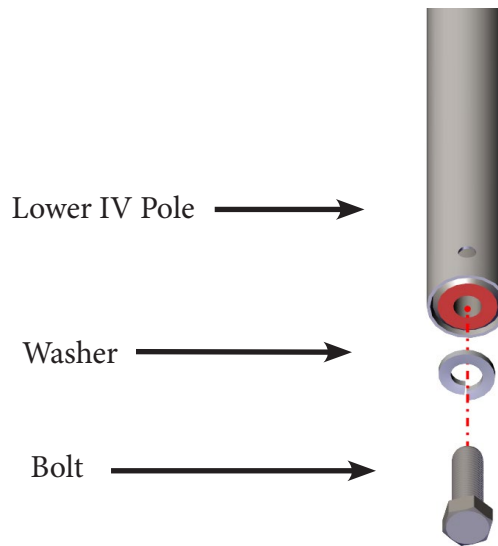


Fig. 3: Remove Bolt and Washer

Remove the Bolt and Washer from the bottom of the Lower IV Pole (Fig. 3).



Fig. 4: Assemble Bolt, Washer, Base and Pole

Place the Washer on the Bolt. Push the Washer and Bolt assembly through the hole in the center of the Wheeled Base from the bottom so that the threads of the bolt protrude through the top of the Wheeled Base. Position the bottom of the Lower IV pole over the bolt where it protrudes from the Wheeled Base (Fig. 4).

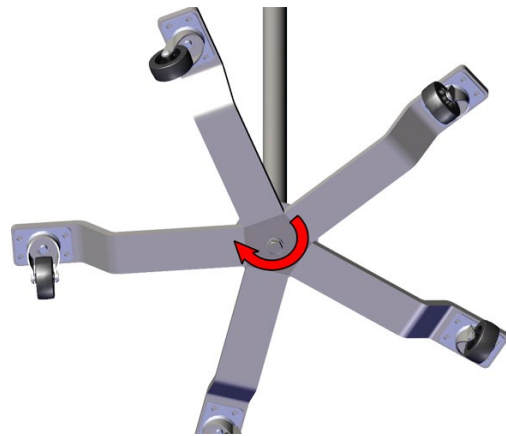


Fig. 5: Tighten Bottom Bolt

Using the 5/8" Socket Wrench, tighten the bolt onto the Lower IV Pole using a rightward/ clockwise twist. Make sure the bolt is tightened securely (Fig. 5).



Fig. 6: Fully Assembled Stand

The IV Stand is now fully assembled and ready for use (Fig. 6).



**WARNING!** Make sure that the IV Stand is assembled as described before use.

## Adjusting the Height of the Foot Operated IV Stand (IVS-3000/IVS-4000 Series)

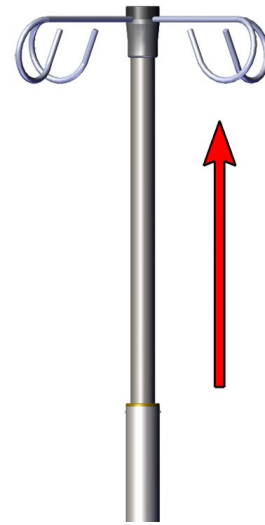


Fig. 7: Lift up on Upper IV Pole

### Raising

To raise the height of the Foot Operated IV Stand, grasp the Upper IV Pole and lift up (Fig. 7).

The Stand can be adjusted to any height between 68" and 108".

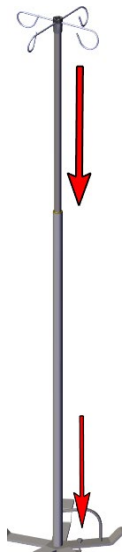


Fig. 8: Operate Foot Button to Lower IV Pole

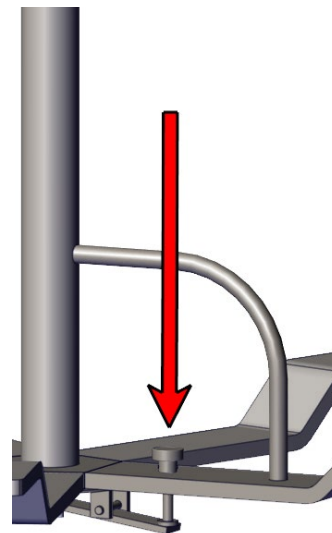


Fig. 9: Foot Button Detail

### Lowering

To lower the height of the Foot Operated IV Stand, grasp the Upper IV Pole with one hand and press down on the Foot Release button. Lower the Stand to the desired height, then let up on the Foot Release button (Figs. 8 - 9).

**IMPORTANT:** Make sure to have a firm grip on the Upper IV Pole when activating the Foot Release or the Upper IV Pole will slam down.

## Adjusting the Height of the Hand Operated IV Stand (IVS-5000/IVS-6000/IVS-7000 Series)

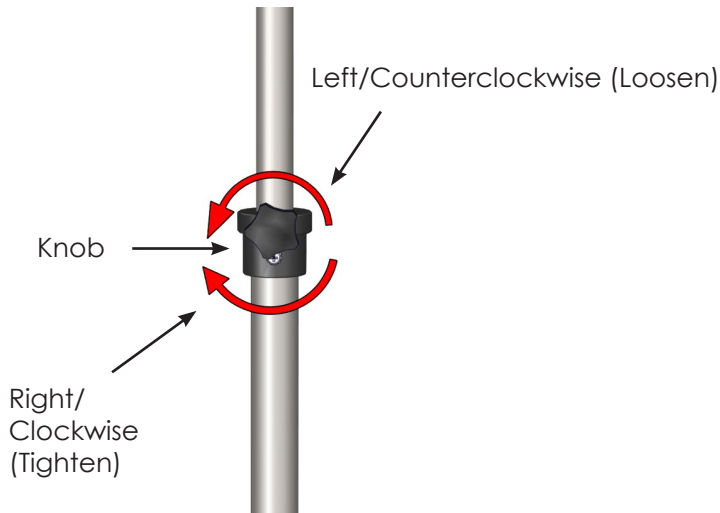


Fig. 10: Height Adjustment Knob

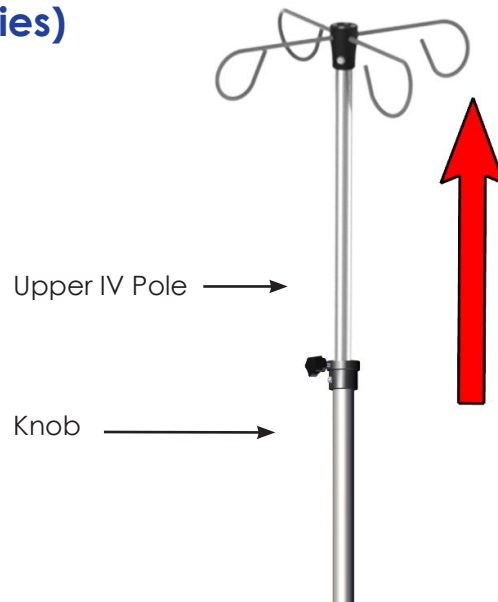


Fig. 11: Raising the Pole

### Raising -

To Raise the height of the Hand Operated IV Stand, turn the Knob to the Left/Counterclockwise with one hand to loosen it. Grasping the Upper IV pole with the other hand, raise the stand to the desired height, then turn the Knob to the Right/Clockwise to tighten it (Figs. 10 - 11).

Stand can be adjusted to any height between 68" and 108".

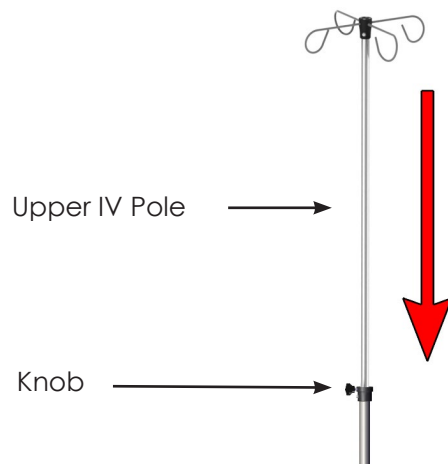


Fig. 12: Lowering the Pole

### Lowering -

To Lower the height of the Hand Operated IV Stand, grasp the Upper IV pole with one hand and turn the Knob Left/Counterclockwise with the other to loosen it. Lower the Stand to the desired height. When the stand is at the desired height, turn the knob Right/Clockwise to tighten it (Fig. 12).

**IMPORTANT:** Make sure to hold the upper IV pole when lowering it or the Upper IV pole will slam down when the Knob is loosened.

## Intended Use

IV, or intravenous, poles are devices used to hold bags of fluid or medicine that is being given to a patient at a steady flow. IV poles all provide the same function, being a secure place to hang medicine for a patient.

- Not to be used for support or as a walking aid. Do not attempt to support your weight or use it as a stand assist.
- Avoid wet or slick surfaces, wires, cables, or tubes and any uneven surfaces that may cause the I.V. Stand to tip or fall.
- Extreme caution should be taken when the IV pole is near the bed or any other furniture.
- Do not exceed the maximum weight capacity of 20 lbs attached to the pole and 10 lbs on each hook. (It is recommended that all added weight be evenly distributed amongst the top hooks to maintain stability.)
- Do not use the I.V. Stand while walking backward, down gradients, or climbing stairs, curbs, or going over obstacles. A serious risk of fall or injury may occur.
- Do not use the pole for anything other than its intended use.

## Casters and Wheels - Care and Maintenance

Users of the IV Stands are responsible for the proper care, use and maintenance of the equipment. IV Stands can become damaged and unsafe if used improperly.

- Never overload the IV Stand.
- Do not use the IV Stand at high speeds.

Using the IV Stand in any of the above conditions can result in failure of the Casters, Wheels or other parts of the equipment.

Periodically inspect the bottom of the IV Stand and look for any of the following issues –

- Broken welds
- Loose nuts or bolts. These should be tightened.
- Frame Distortion. This could be caused by an overloaded IV Stand or by impacts with other objects while moving the Stand.

### Casters:

- Make sure the Casters are in good condition. For Swivel Casters, if the caster has excessive play due to wear, it may need to be replaced. If it does not turn freely, corrosion or dirt may also force its replacement.

### Wheels:

- Wheels should be checked for visible tread wear. Flat spots due to accumulation of material, such as string or thread, can cause the wheel to bind. The axle bolt nut should be removed and the foreign material removed. If the internal components are intact, the caster can be reassembled.
- Rubber tires can be badly worn and cause erratic steering, bumping, load shifting and floor damage. Replacement wheels and casters should be kept on hand to keep equipment in working order.

## Cleaning and Maintenance

Stainless Steel IV Stands must be cleaned on a regular basis in order to prevent unnecessary damage to the stainless steel surface. When cleaning IV Stands, make sure to use the proper cleaning agents and cleaning materials.



**CAUTION:** DO NOT USE the following materials on the stainless steel surfaces of the IV Stands:

Abrasive Pads  
Scrapers  
Steel Wool  
Wire Brushes



**CAUTION:** DO NOT USE the following agents on the stainless steel surfaces of IV Stands:

Hard water  
Bleach or any products containing Chlorine  
Hydrochloric Acid  
Denatured Alcohol



**NOTE:** Always follow the manufacturer's directions for any chemicals used on the stainless steel surfaces of the IV Stands.

Use the following cleaning materials and agents:

Soft, clean lint-free cloth  
Distilled water  
Distilled water with mild detergent  
Cleaners approved for use on stainless steel

### **How to Clean a Stainless Steel IV Stand**

- Using a damp, lint-free cloth and approved cleaner, wipe down all stainless steel surfaces of the IV Stand.
- Use a lint-free dry cloth to dry the IV Stand, or let air dry. If air drying, ensure IV Stand is completely dry before storing. Store in a cool, dry place.

## Replacement Parts - General

The IV Stand replacement parts listed on this page have been identified by MAC Medical as serviceable by facility personnel and are available for purchase. To obtain MAC Medical certified parts and authorized services, contact your MAC Medical representative.



Item ID	Part Number	Description	QTY	Model
1	IV0010-05	IV 4 Hook	1	IVS-3004, IVS-4004, IVS-5004, IVS-6004, IVS-7004
1	IV0018-02	IV 6 Hook	1	IVS-3006, IVS-4006, IVS-5006, IVS-6006, IVS-7006
2	ST0098	IV Pole Knob	1	IVS-5000 Series, IVS-6000 Series, IVS-7000 Series
3	T0009	2" Swivel Caster	4, 5, 6 - Depending on Base Configuration	All

## Limited Lifetime Warranty



MAC Medical warrants to the original purchaser that its Proprietary Products will be free from defects in workmanship or materials under normal use and service for the life of the product, so long as owned by the original purchaser, according to the limitations set forth below.

Defective products shall be repaired or replaced at MAC Medical's option at no cost to the original purchaser provided:

1. The customer must obtain a written return authorization supplied by MAC Medical's customer service department. The product must be returned, properly packaged, with a copy of the original sales receipt and copy of the RMA authorization. Please call (877) 828-9975 or (618) 476-3550 to receive a return authorization.
2. The customer must pre-pay freight charges to and from MAC Medical and must ship merchandise properly packaged, in a way the product will not be damaged during transit to the factory. MAC Medical does not warranty any freight damage to or from the factory. It is the customer's responsibility to inspect the product for packaging damage before signing the BOL.

This warranty does not apply to products, which have been subject to abuse, misuse, accident, modification, alteration, tampering, negligence, lack of routine maintenance or misapplication; or products that have been repaired by other than MAC Medical or its authorized representatives.

This warranty does not apply to glass, fabrics, vinyl, seat coverings, cushions, padding or their stitching, gluing or installation. Component parts not manufactured by MAC Medical, such as casters, caster inserts, any components made from rubber or plastic, circuit boards, fan heaters, plumbing parts, electrical switches and other components are also excluded. For these component parts, MAC Medical will pass on the original manufacturer's warranty to MAC Medical equipment original purchasers. Please consult factory for questions regarding the warranties of these component parts. This warranty does not apply to custom fabricated products. Consult factory.

UNLESS EXPRESSLY SET FORTH IN THIS WARRANTY, THERE ARE NO OTHER WARRANTIES, WHETHER EXPRESS OR IMPLIED, OF FITNESS AND/OR MERCHANTABILITY OR ANY OTHER WARRANTY IMPLIED BY CUSTOM, USAGE OR COURSE OF DEALING.

Liability of MAC Medical under this warranty is limited to the repair and/or replacement of any products. MAC Medical specifically excludes and disclaims any responsibility for any incidental or consequential damages claimed to have arisen from any defect in workmanship or materials. No representative has any authority to change or enlarge the above warranty or MAC Medical liability. This document supersedes all previous warranty provisions.

To place an order, contact our customer service department at **618-476-3550** or **877-828-9975** or by email at [sales@macmedical.com](mailto:sales@macmedical.com)

**MADE IN THE USA**

INSPIRED  
TO BE BETTER

MAC Medical, Inc.  
Publication No. MAN-045 REV C  
May 2026

Information regarding this product is subject to change without prior notice.



**Corporate Office**  
609 S. Breese St.  
Millstadt, IL 62260

**Manufacturing Plant**  
820 South Mulberry Street  
Millstadt, IL 62260

Phone: 618-476-3550 • Toll Free: 877-828-9975 • [www.macmedical.com](http://www.macmedical.com)