



# INSTRUCTION MANUAL



## MAYO STANDS

### OPERATION AND MAINTENANCE



Read and understand all of the instructions and safety information in this manual before operating this product.

## Table of Contents

Standard Features.....	3
Optional Feature.....	3
Unpacking and Inspection Instructions.....	4
Removing/Replacing the Tray on a MAC Medical Mayo Stand.....	4
Adjusting the Height of a Hand Operated Friction Lock Post Mayo Stand.....	5
Adjusting the Height of a Manual Knob Operated Mayo Stand.....	6
Adjusting the Height of a Foot Operated Friction Lock Post Mayo Stand.....	7
Casters and Wheels - Care and Maintenance.....	8
Replacement Parts - General.....	9
Cleaning and Maintenance.....	10
Limited Lifetime Warranty.....	11

### DESCRIPTION OF PRODUCT

The products covered in this manual are:  
all models of the MAC Medical Stainless  
Steel Mayo Stands.

### PURPOSE OF THIS MANUAL

This manual covers Mayo Stand use,  
surface care and cleaning, and  
maintenance.

**KEEP THIS MANUAL**

## Standard Features

- Fully welded stainless steel construction
- Height adjustment range - 36" - 58"
- 2" Swivel Casters



MYO-2000



MYO-3000



MYO-4000



MYO-5000

Model	Tray Size	Height Adjustment Method	Weight Capacity
MYO-2000	21 1/4" x 16 1/4"	Foot Friction Lock	50 lb (dual post)
MYO-2001	19 1/8" x 12 5/8"	Foot Friction Lock	50 lb (dual post)
MYO-2002	25" x 20"	Foot Friction Lock	50 lb (dual post)
MYO-3000	21 1/4" x 16 1/4"	Hand Friction Lock	50 lb (dual post)
MYO-3001	19 1/8" x 12 5/8"	Hand Friction Lock	50 lb (dual post)
MYO-3002	25" x 20"	Hand Friction Lock	50 lb (dual post)
MYO-4000	21 1/4" x 16 1/4"	Manual Knob	40 lb (single post)
MYO-4001	19 1/8" x 12 5/8"	Manual Knob	40 lb (single post)
MYO-5000	21 1/4" x 16 1/4"	Foot Friction Lock	40 lb (single post)
MYO-5001	19 1/8" x 12 5/8"	Foot Friction Lock	40 lb (single post)

## Optional Feature/ All Models

Mobile Base

(Model # - MB)



## Unpacking and Inspection Instructions



Caution: The Mayo Stand is heavy and it is recommended that at least two people assist in the unpacking.

- If the shipping container appears to be damaged in any way, contact the shipping company immediately. Save all damaged packaging materials.
- Carefully inspect the Mayo Stand while unpacking. If any damaged or defective parts are seen, call your Mac Medical representative.
- Mac Medical Mayo Stands are shipped fully assembled and ready for immediate use. No assembly is required.

## Removing/Replacing the Tray on a MAC Medical Mayo Stand



The Tray of any MAC Medical Mayo stand is easily removed from or replaced on the Tray Support.

## Adjusting the Height of a Hand Operated Friction Lock Post Mayo Stand

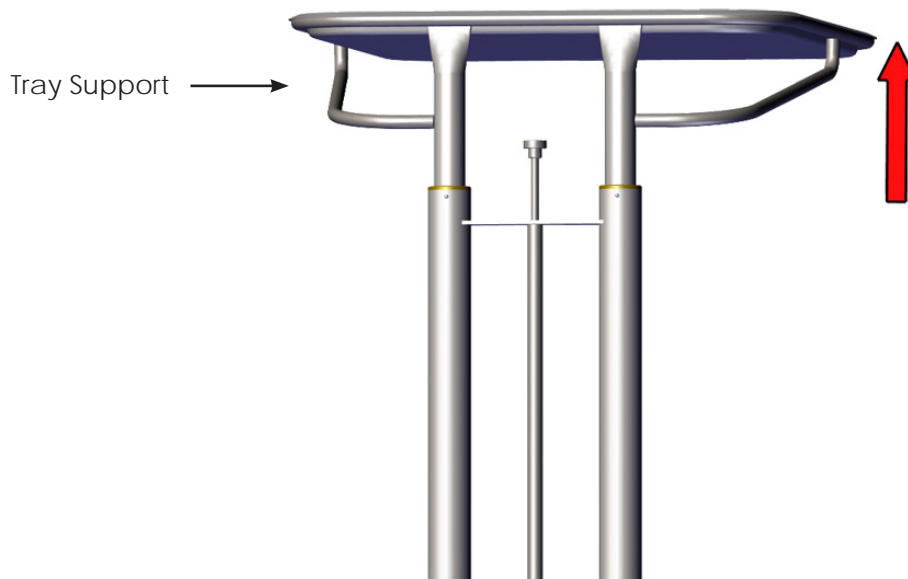


Fig. 1: Raising the Tray

To raise the Height of the Hand Operated Friction Lock Post Mayo Stand, grasp the Tray Support and lift up to the desired height (Fig. 1).

The Stand will adjust to any height between 36" and 58".

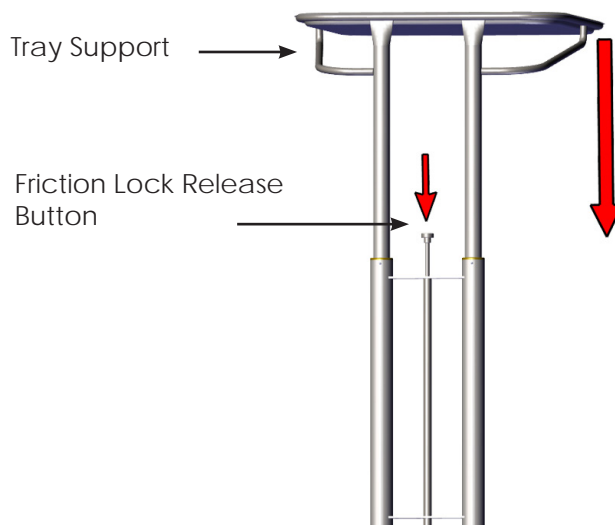


Fig. 2: Lowering the Tray

To lower the height of the Hand Operated Friction Lock Post Mayo Stand, grasp the Tray Support with one hand and press down on the Friction Lock Release button with the other hand. Lower the Stand to the desired height (Fig. 2).

**IMPORTANT:** Make sure to have a firm grip on the Tray Support when activating the Friction Lock Release or the Tray and Tray support will slam down.

## Adjusting the Height of a Manual Knob Operated Mayo Stand

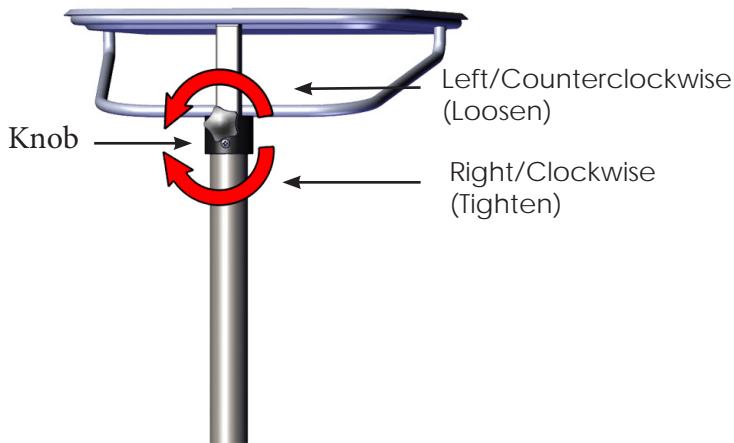


Fig. 3: Manual Knob Operation

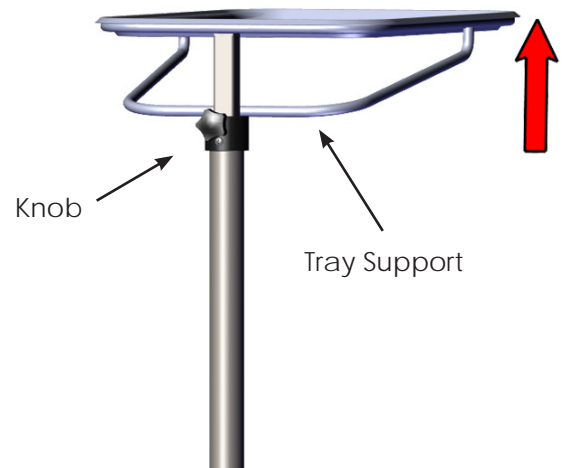


Fig. 4: Raising the Tray

The Tray of the Manual Knob Operated Mayo Stand can be raised or lowered by loosening and tightening the Knob manually. Turn counterclockwise to loosen the mechanism and clockwise to tighten it (Fig. 3).

To Raise the Tray of the Manual Knob Operated Mayo Stand, turn the Knob Counterclockwise with one hand to loosen it. Grasp the Tray Support with the other hand and raise the Tray to the desired height, then turn the Knob Clockwise to tighten it (Fig. 4).

Stand can be adjusted to any height between 36" and 58".

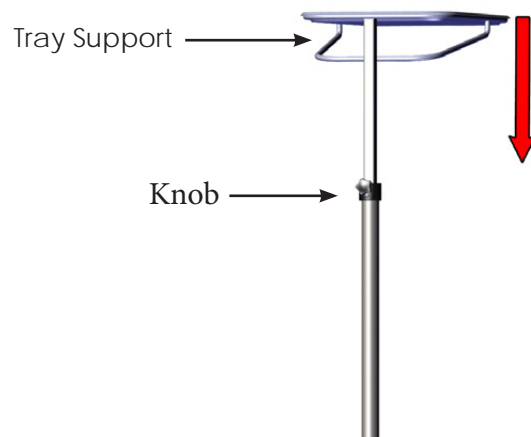
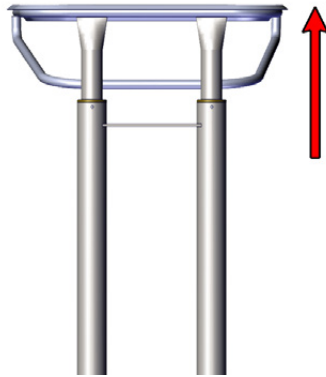


Fig. 5: Lowering the Tray

To Lower the Tray of the Hand Operated Mayo Stand, grasp the Tray support with one hand and turn the Knob Counterclockwise with the other to loose it. Lower the stand to the desired height and turn the knob Clockwise to tighten it (Fig. 5).

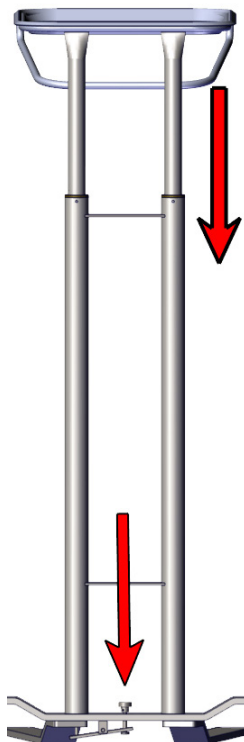
**IMPORTANT:** Make sure you have a firm grip on the Tray Support when lowering it or the Tray Support will slam down when the Knob is loosened.

## Adjusting the Height of a Foot Operated Friction Lock Post Mayo Stand



To raise the Height of the Foot Operated Friction Lock Post Mayo Stand, grasp the Tray Support and lift up to the desired height.

The Stand will adjust to any height between 36" and 58".



To lower the height of the Foot Operated Friction Lock Post Mayo Stand, grasp the Tray Support with one hand and press down on the Friction Lock Release button with your foot. Lower the Stand to the desired height.

**IMPORTANT:** Make sure to have a firm grip on the Tray Support when activating the Friction Lock Release or the Tray and Tray support will slam down.

## Casters and Wheels - Care and Maintenance

Users of the Mayo Stands are responsible for the proper care, use and maintenance of the equipment. The Mayo Stand can become damaged and unsafe if used improperly.

- Never overload the Mayo Stand.
- Do not drop heavy loads on the Mayo Stand.
- Do not use the Mayo Stand at high speeds.

Using the Mayo Stand in any of the above conditions can result in failure of the Casters, Wheels or other parts of the equipment.

Periodically inspect the bottom of the Mayo Stand and look for any of the following issues –

- Broken welds
- Loose nuts or bolts. These should be tightened.
- Frame Distortion. This could be caused by an overloaded Mayo Stand or by impacts with other objects while moving the Stand.

### **Casters:**

- Make sure the Casters are in good condition. For Swivel Casters, if the caster has excessive play due to wear, it may need to be replaced. If it does not turn freely, corrosion or dirt may also force its replacement.

### **Wheels:**

- Wheels should be checked for visible tread wear. Flat spots due to accumulation of material, such as string or thread, can cause the wheel to bind. The axle bolt nut should be removed and the foreign material removed. If the internal components are intact, the caster can be reassembled.
- Rubber tires can be badly worn and cause erratic steering, bumping, load shifting and floor damage. Replacement wheels and casters should be kept on hand to keep equipment in working order.



## Replacement Parts - General

The Mayo Stand replacement parts listed on this page have been identified by MAC Medical as serviceable by facility personnel and are available for purchase. To obtain MAC Medical certified parts and authorized services, contact your MAC Medical representative.



Item ID	Part Number	Description	QTY	Model
1	MY0040-01	Mayo Stand Tray - 21 1/4" x 16 1/4"	1	MYO-2000, MYO-3000, MYO-4000, MYO-5000
1	MY0007	Mayo Stand Tray - 19 1/8" x 12 5/8"	1	MYO-2001, MYO-3001, MYO-4001, MYO-5001
1	MY0064-01	Mayo Stand Tray 25" x 20"	1	MYO-2002, MYO-3002
2	ST0098	IV Pole Knob	1	MYO-4000, MYO-4001
3	T0009	2" Swivel Caster	2	All

## Cleaning and Maintenance

Mayo Stands must be cleaned on a regular basis in order to prevent unnecessary damage to the stainless steel surface. When cleaning the Mayo Stands, make sure to use the proper cleaning agents and cleaning materials.



**CAUTION: DO NOT USE** the following materials on the stainless steel surfaces of Mayo Stands:

Abrasive Pads  
Scrapers  
Steel Wool  
Wire Brushes



**CAUTION: DO NOT USE** the following agents on the stainless steel surfaces of Mayo Stands:

Hard water  
Bleach or any products containing Chlorine  
Hydrochloric Acid  
Denatured Alcohol



**NOTE:** Always follow the manufacturer's directions for any chemicals used on the stainless steel surfaces of the Mayo Stands.

Use the following cleaning materials and agents:

Soft, clean lint-free cloth  
Distilled water  
Distilled water with mild detergent  
Cleaners approved for use on stainless steel

### ***How to Clean a Stainless Steel Mayo Stand***

- Using a damp, lint-free cloth and approved cleaner, wipe down all surfaces of the Mayo Stand.
- Use a lint-free dry cloth to dry the Mayo Stand or let air dry. If air drying, ensure Mayo Stand is completely dry before storing. Store in a cool, dry place.

Stainless Steel:

1. Use a commercially prepared stainless steel cleaner and follow the manufacturer's directions.

Decals or Printed Labels:

2. Use distilled water and a mild detergent applied with a lint-free cloth. **DO NOT** use any chemical cleaners.

# Warranty Information



## Limited Lifetime Warranty

MAC Medical warrants to the original purchaser that its Proprietary Products will be free from defects in workmanship or materials under normal use and service for the life of the product, so long as owned by the original purchaser, according to the limitations set forth below. Defective products shall be repaired or replaced at MAC Medical's option at no cost to the original purchaser provided:

1. The customer must obtain a written return authorization supplied by MAC Medical's customer service department. The product must be returned, properly packaged, with a copy of the original sales receipt and copy of the RMA authorization. Please call (877) 828-9975 or (618) 476-3550 to receive a return authorization.
2. The customer must pre-pay freight charges to and from MAC Medical and must ship merchandise properly packaged, in a way the product will not be damaged during transit to the factory. MAC Medical does not warranty any freight damage to or from the factory. It is the customer's responsibility to inspect the product for packaging damage before signing the BOL.

This warranty does not apply to products, which have been subject to abuse, misuse, accident, modification, alteration, tampering, negligence, lack of routine maintenance or misapplication; or products that have been repaired by other than MAC Medical or its authorized representatives.

This warranty does not apply to glass, fabrics, vinyl, seat coverings, cushions, padding or their stitching, gluing or installation. Component parts not manufactured by MAC Medical, such as casters, caster inserts, any components made from rubber or plastic, circuit boards, fan heaters, plumbing parts, electrical switches and other components are also excluded. For these component parts, MAC Medical will pass on the original manufacturer's warranty to MAC Medical equipment original purchasers. Please consult factory for questions regarding the warranties of these component parts. This warranty does not apply to custom fabricated products. Consult factory.

UNLESS EXPRESSLY SET FORTH IN THIS WARRANTY, THERE ARE NO OTHER WARRANTIES, WHETHER EXPRESS OR IMPLIED, OF FITNESS AND / OR MERCHANTABILITY OR ANY OTHER WARRANTY IMPLIED BY CUSTOM, USAGE OR COURSE OF DEALING.

Liability of MAC Medical under this warranty is limited to the repair and / or replacement of any products. MAC Medical specifically excludes and disclaims any responsibility for any incidental or consequential damages claimed to have arisen from any defect in workmanship or materials. No representative has any authority to change or enlarge the above warranty or MAC Medical liability. This supersedes all previous warranty provisions.

To place an order, contact our customer service department at **618-476-3550** or **877-828-9975** or by email at [sales@macmedical.com](mailto:sales@macmedical.com)

**MADE USA**  
IN THE

INSPIRED  
TO BE BETTER

**Customer needs are our first priority.**

MAC Medical, Inc.  
Printed in USA  
Publication No. MAN-047 Rev D  
August 2021

Information regarding this product is subject to change without prior notice.



**Corporate Office**  
200 Admiral Weinel Blvd.  
Columbia, Illinois 62236

**Manufacturing Plant**  
820 South Mulberry Street  
Millstadt, IL 62260

Phone: 618-476-3550 • Toll Free: 877-828-9975 • [www.macmedical.com](http://www.macmedical.com)