

D-Series Data Logging Blanket & Fluid Warming Cabinets

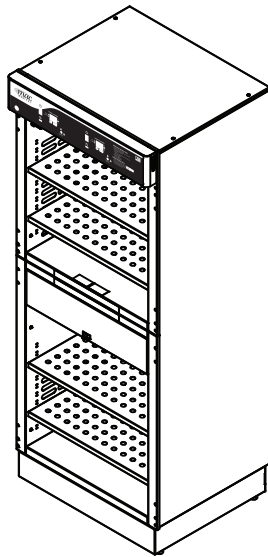


Model # DWC243074E

(E = Equal Chambers)

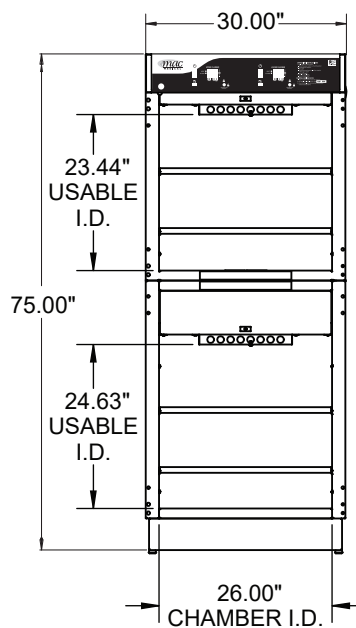
DIMENSIONS

SHOWN WITH
STANDARD 4" BASE

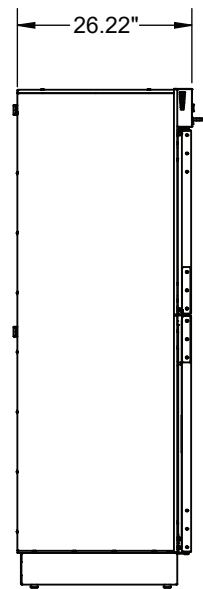


DOOR REMOVED
FOR CLARITY

FRONT VIEW



SIDE VIEW



SPECIFICATIONS

Overall Size

26.5"D x 30"W x 74.5"H
(673.1mm x 762mm x 1892mm)
17.64 Cubic Feet Storage
4 Adjustable Shelves

Upper Chamber I.D.

23"D x 26"W x 25"H
(584.2mm x 660.4mm x 635mm)
8.65 Cubic Feet Storage
Temperature Range 90°-160° F (Tolerance +/- 2° F)

Lower Chamber I.D.

23"D x 26"W x 26"H
(584.2mm x 660.4mm x 660.4mm)
8.99 Cubic Feet Storage
Temperature Range 90°-160° F (Tolerance +/- 2° F)

Electrical

120V, 12.5 Amp, 50/60 Hz, .90 kWh (Avg.),
3071 BTU/hr (Avg.)

Door Types

Stainless Steel or Glass