

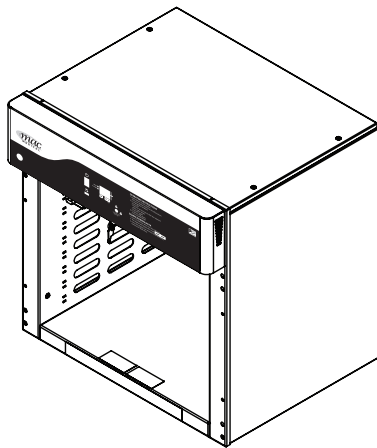
D-Series Data Logging Blanket & Fluid Warming Cabinets



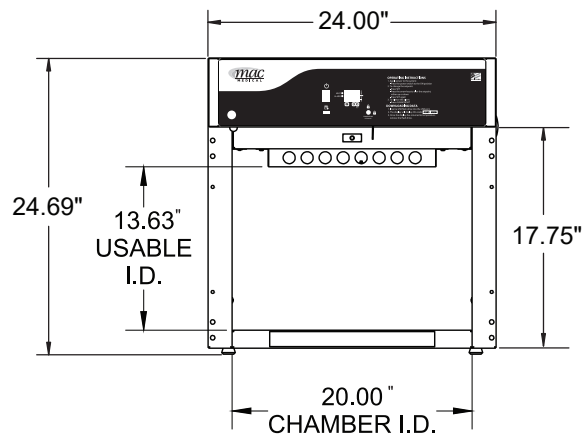
Model # SWC182424

DIMENSIONS

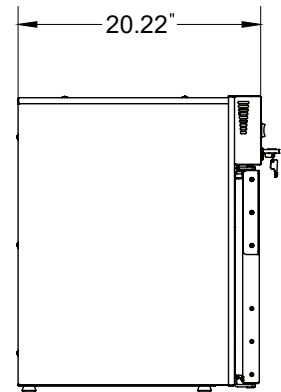
DOOR REMOVED FOR CLARITY



FRONT VIEW



SIDE VIEW



SPECIFICATIONS

Overall Size

20.5"D x 24"W x 24.5"H
(520.7mm x 609.6mm x 622.3mm)
Optional Adjustable Shelf

Chamber I.D.

17"D x 20"W x 15.25"H
(431.8mm x 508mm x 387.3mm)
3.0 Cubic Feet Storage
Temperature Range 90°-160° F (Tolerance +/- 1° F)

Electrical

120V, 2.9 Amp, 50/60 Hz, .23 kWh (Avg.),
785 BTU/hr (Avg.)

Door Types

Stainless Steel or Glass