

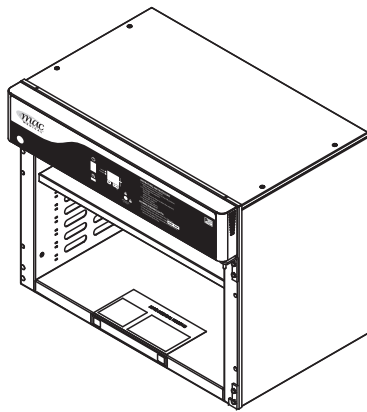
D-Series Data Logging Blanket & Fluid Warming Cabinets



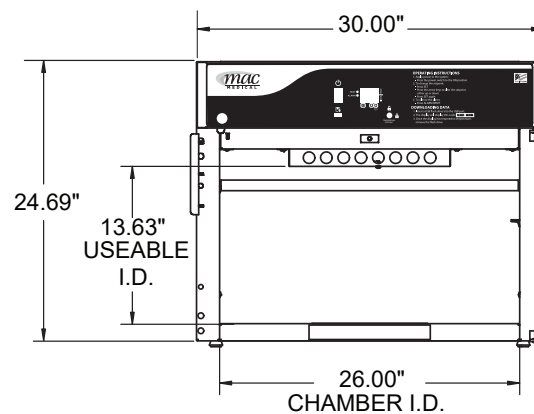
Model # SWC243024

DIMENSIONS

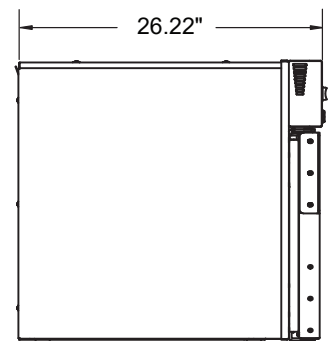
DOOR REMOVED FOR CLARITY



FRONT VIEW



SIDE VIEW



SPECIFICATIONS

Overall Size

26.5"D x 30"W x 24.5"H
(673.1mm x 762mm x 622.3mm)
1 Adjustable Shelf

Chamber I.D.

23"D x 26"W x 15.25"H
(584.2mm x 660.4mm x 387.3mm)
5.27 Cubic Feet Storage
Temperature Range 90°-160° F (Tolerance +/- 1° F)

Electrical

120V, 6.3 Amp, 50/60 Hz, .45 kWh (Avg.),
1535 BTU/hr (Avg.)

Door Types

Stainless Steel or Glass