

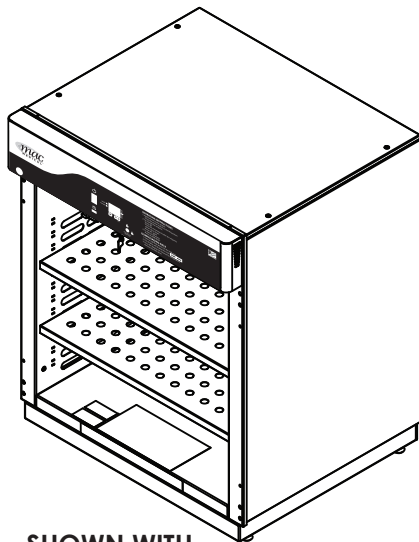
D-Series Data Logging Blanket & Fluid Warming Cabinets



Model # SWC243036

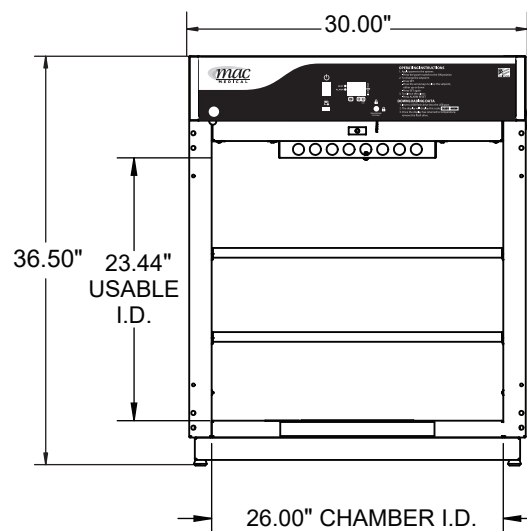
DIMENSIONS

DOOR REMOVED FOR CLARITY

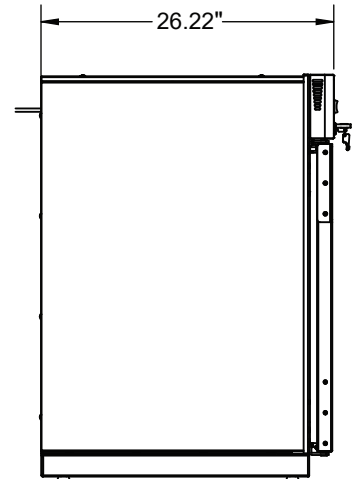


SHOWN WITH
STANDARD 2" BASE

FRONT VIEW



SIDE VIEW



SPECIFICATIONS

Overall Size

26.5"D x 30"W x 36.5"H
(673.1mm x 762mm x 927mm)
2 Adjustable Shelves

Chamber I.D.

23"D x 26"W x 25"H
(584.2mm x 660.4mm x 635mm)
8.65 Cubic Feet Storage
Temperature Range 90°-160° F (Tolerance +/- 2° F)

Electrical

120V, 6.3 Amp, 50/60 Hz, .45 kWh (Avg.),
1535 BTU/hr (Avg.)

Door Types

Stainless Steel or Glass